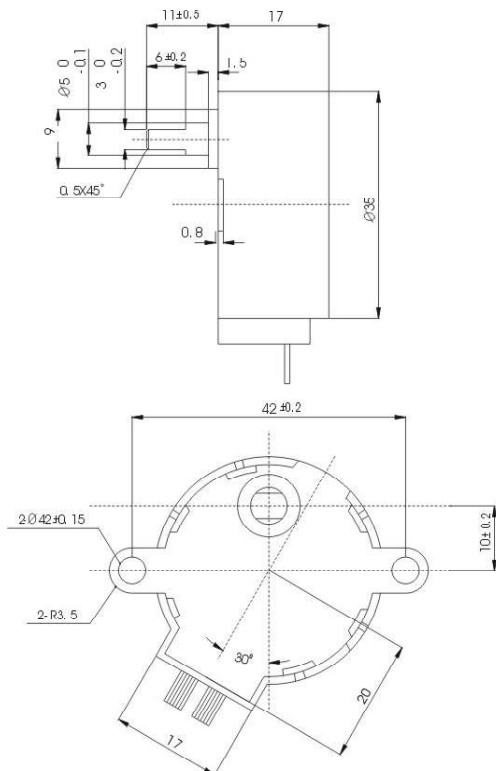


35 BYJ 46 / 35 BYJ 46A



Applicatim:
Main uses:mainly used for air-conditiones...



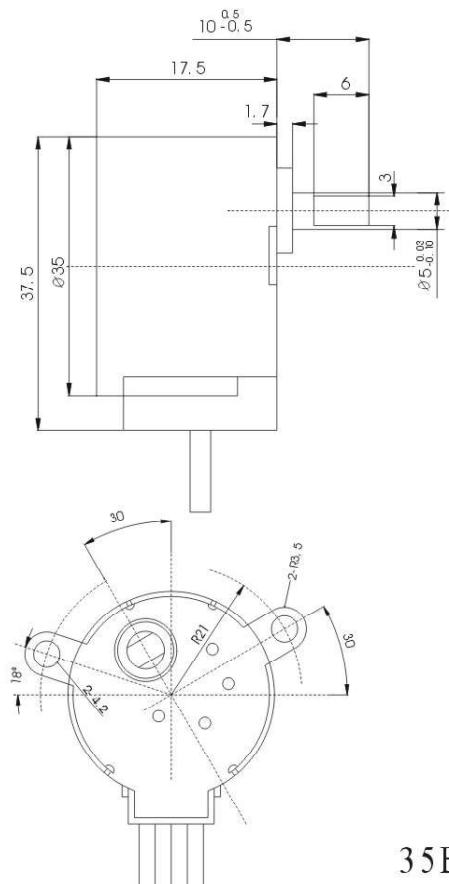
35BYJ46

35BY46 Motor Specification

No.of phases	4	Voltage	12VDC
Current	92mA	Resistance	130 Ω
Step angle	5.625	Reduction Ratio	1:85.25
No-load pull-out frequency	800pps	No-load pull-in frequency	500pps
Pull- in torque	≥78.4mN . M		
Wiring indications	A (orange) , B (yellow) , C (blue) D (grey) , E (red,mid-point)		

35BY46A Motor Specification

No.f phases	4	Voltage	12VDC
Current	92mA	Resistance	130 Ω
Step angle	5.625	Reduction Ratio	1:85.25
No-load pull-out frequency	800pps	No-load pull-in frequency	500pps
Pull- in torque	≥78.4mN . M		
Wiring indications	A (orange) , B (yellow) , C (blue) D (grey) , E (red,mid-point)		



35BYJ46A