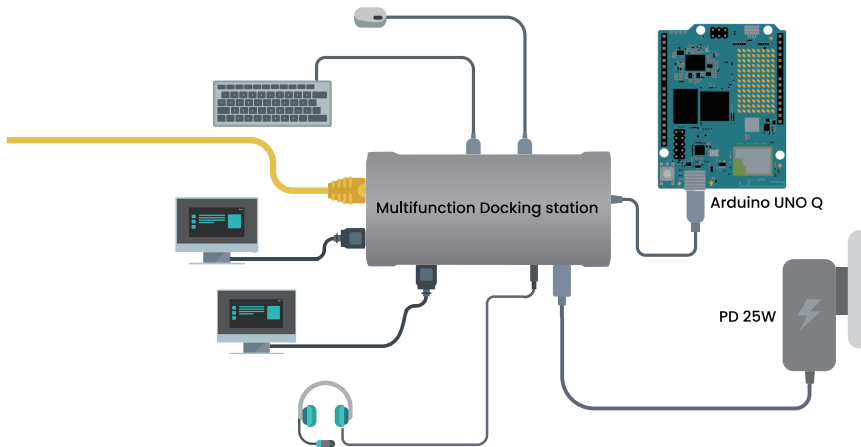


Starter Bundle for Arduino Uno Q

Safety Instructions

Foreword

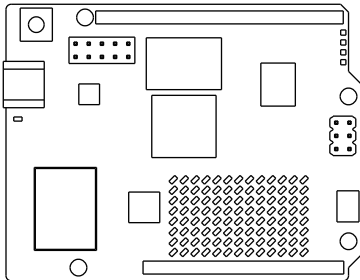
Thank you for choosing the Starter Bundle for Arduino Uno Q. This product kit includes three core components: the Arduino UNO Q main controller development board, a USB-C multifunction docking station, and a PD25W fast charger. To ensure your personal safety and the safety of your device, please read the entire manual carefully before using the product for the first time, and keep it in a safe place for future reference.



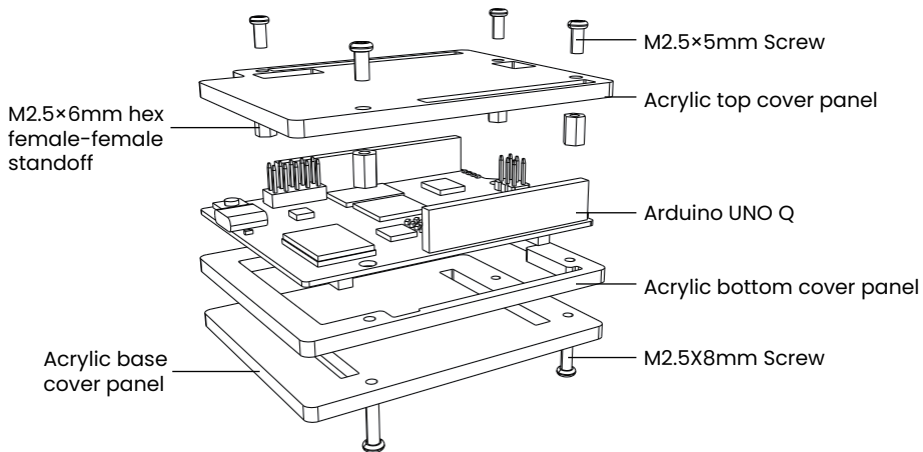
Core Component Safety Specifications

1.Arduino UNO Q Development Board

- Power: 5V (max 3A) input via USB-C only.
- GPIO: Supports only 3.3V; applying 5V or directly driving high-power loads is prohibited (use a driver circuit).
- System: Never cut power directly. Shut down via **sudo shutdown -h now** or by holding the power button for 5 seconds. Boot takes about 30 seconds.
- ESD Protection: Handle by the board edges only, discharge static before use, and store in an anti-static bag when not in use.

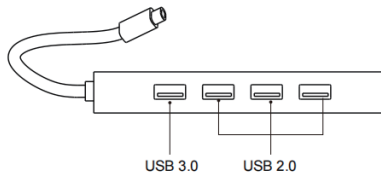
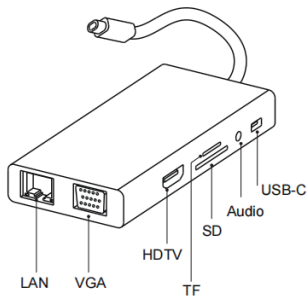


Case for Arduino UNO Q Installation diagram



2.USB-C Multifunction Docking Station

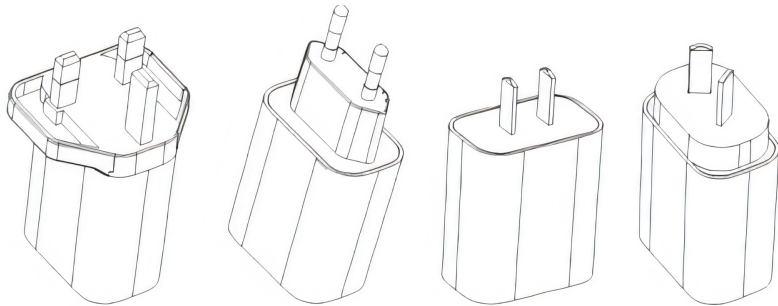
- Connection order: Power Supply → Docking Station → UNO Q/Computer → Peripherals.
- Disconnection order: Peripherals → UNO Q/Computer → Docking Station → Power Supply.
- Plugging/unplugging: Insert and remove vertically; avoid angled connections, cable pulling, or hot-swapping high-power devices.
- Overheat prevention: Avoid multiple high-power devices (eg, 4K monitors, SSD) at once; pause use if too hot and ensure ventilation.
- Maintenance: Clean ports every 1–2 months with alcohol (power off). Keep dry and dust-free.



*TF and SD can't be used simultaneously—Insert either one

3.PD25W Fast Charger

- Power Specifications: AC 100~240V input, 25W max output(5V/3A, 9V/2.77A). Do not overload.
- Safe Operation: Use grounded outlet. Keep away from heat, fire, and moisture. Hold plug body when inserting/removing. Do not disassemble or modify.
- Abnormal Conditions: Stop use if smoke, odor, noise, or overheating occurs. Unplug and contact support.



General Safety Requirements

- **Environment:** Operate at -10°C ~ 60°C . Keep ventilated and dry. Avoid water, heat sources, and heavy pressure.
- **Power:** Use provided charger and cable. Connect high-power devices only via a powered dock.
- **Inspection:** Check cables, clean ports, and ensure proper power connection before use.
- **Storage:** Disconnect all devices, clean, and store in anti-static bag in a cool, dry place. Power on for 10~15 minutes every 2~3 months.

Quick Troubleshooting for Common Issues

Fault phenomenon	Solution
UNO Q won't boot / System frozen	Check power, reduce connected peripherals, reflash system if needed
Docking station peripherals unrecognized / Intermittent disconnection	Reconnect in correct order, clean ports, replace with original high-quality cable
Charger no output / Slow charging	Check outlet power, confirm device supports PD fast charge, test with new charger
Severe overheating	Pause high-load tasks, improve ventilation, reduce number of connected peripherals
UNO Q not recognized by PC	Check USB driver, replace cable, confirm dev board boots normally

Abnormal Condition Handling

Disconnect power immediately if any of the following occurs:

- Abnormal overheating
- Frequent system restarts
- Smoke or unusual odor from ports
- Peripherals unrecognized

Check:

- Confirm 5V/3A power supply
- Check USB-C cable PD compatibility
- Check for excessive connected peripherals

After-sales Service & Disclaimer

- The manufacturer is not liable for damages caused by: improper operation against this guide, use of non-original accessories, unauthorized modification, out-of-specification use, or force majeure.
- This product has passed relevant safety certifications; use of original accessories guarantees safety and stability.
- If you encounter any issues during use, get technical support via the following channels:
- Contact the product dealer or authorized service provider (fill in the company's technical support email here)
- Check technical discussions on Arduino online communities and forums

Appendix: Quick Reference Card of Key Specifications

Item	Key Spec / Operation
UNO Q Power Supply	USB-C 5V (Max 3A)
UNO Q GPIO Voltage	3.3V
UNO Q System Boot Time	30s
Docking Station Connection Order	Power → Docking Station → PC → Peripherals
Docking Station Disconnection Order	Peripherals → PC → Docking Station → Power
25W PD Charger Output	5V/3A, 9V/2.77A
Ideal Operating Temperature	-10°C ~ 60°C
Port Cleaning Interval	Once every 1~2 months (operate after power off)