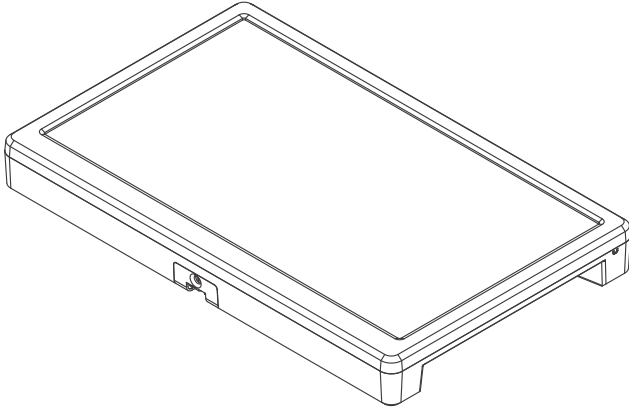


ELECROW 11.6" 1920*1080 Portable Monitor



USER MANUAL

Customer Support:

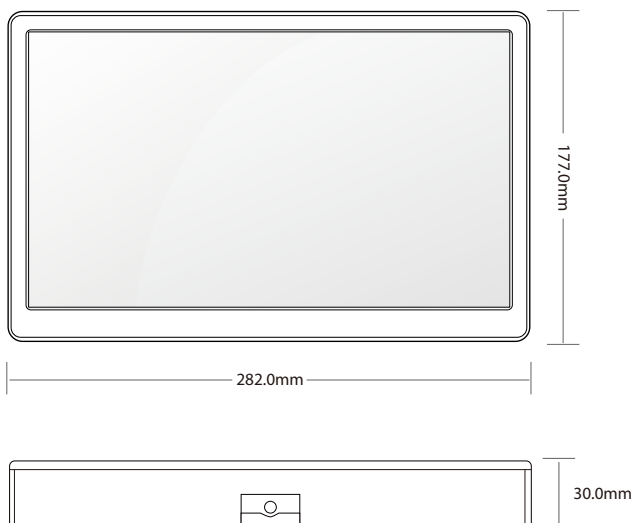
Should there be any questions, please feel free to let us know and contact us with your purchase order number at info@elecrown.com.

Chapter 01 Before Using the Product

1-1. Package Contents

- 1 x Monitor
- 1 x HDMI-compatible Cable
- 1 x Power Supply
- 1 x Stand
- 1 x User Manual

1-2. Package Description

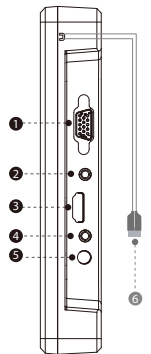


IMPORTANT SAFETY WARNING!

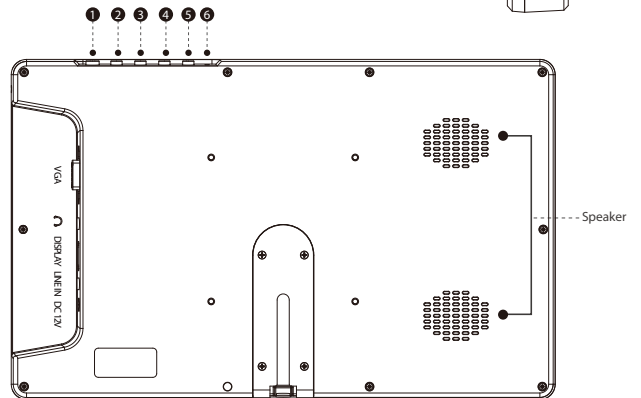
- This appliance can be used by children aged from 8 years and above and persons with reduced physical, sensory or mental capabilities or lack of experience and knowledge if they have been given supervision or instruction concerning use of the appliance in a safe way and understand the hazards involved.
- Children shall not play with the appliance.
- Cleaning and user maintenance shall not be made by children without supervision.
- **WARNING:** Use the detachable supply unit provided with this appliance only.

1-2-1. Port Description

- 1 VGA: Video signal input.
- 2 EAR: 3.5mm headphones audio output.
- 3 DISPLAY: Video signal and audio input.
- 4 LINE IN: Audio signal input when connected VGA.
- 5 DC 12V: DC 12V power port.
- 6 *USB Cable(Touch Version): For touch function .

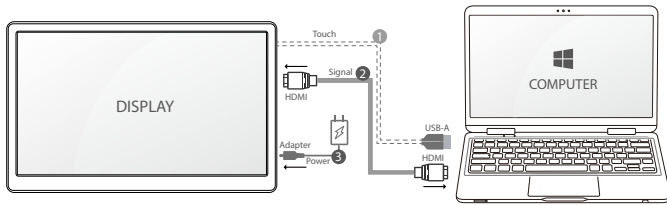


1-2-2 . Button Indications



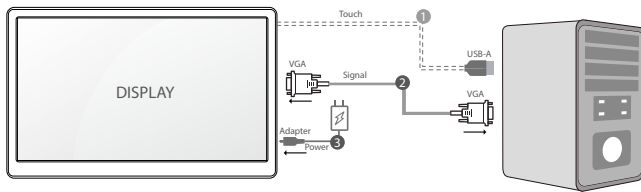
- 1 Turn on/off the monitor when it powered.
- 2 By default, the key is the hot key for brightness.
When in the OSD menu, press for up/increase adjustment .
- 3 By default, the key is the hot key for volume.
When in the OSD menu, press for down/decrease adjustment.
- 4 Press to display the setting OSD menu.
When in the OSD menu, press to confirm the selection.
- 5 When in the OSD menu, press to exit the OSD menu.
- 6 Light Red / Blue light, indicated the working status.

2-1. Connected to Laptop (with HDMI Port)



- 1 * USB A (Touch cable) (Touch Version) 2 HDMI-compatible Cable 3 DC 12V Power

2-2. Connected to PC (with VGA Port)



- 1 * USB A (Touch cable) (Touch Version) 2 VGA to VGA cable 3 DC 12V Power

2-3. How to Set your PC / Laptop Monitor to Duplicate or Extend Mode & How to Rotate the Screen

1. Connect the monitor to your PC properly and power it on.
2. Right click the desktop and select Screen resolution (Win 7/8) or Display settings (Win 10).
3. Click the Multiple display drop-down list, select Extend these displays or Duplicate these displays.

*If you can't see the additional monitor listed, please click Detect. If it doesn't work. Restart your PC then try below steps again

4

3-1. How to Reconfigure OSD (On-Screen Display) Menu

1. Press the M button to activate the OSD menu.
 2. Press the +/- button to toggle between options in the menu. As you move from one icon to another, the option item is highlighted.
 3. To select the highlighted item on the menu press the button M.
 4. Press the +/- button to select the parameter.
 5. Press the button M to enter the slide bar and then use the +/- button to make your changes, according to the indicators on the menu.
 6. Press the to return to the previous menu. If you want to adjust any other functions, repeat steps 2-5.
- Exit the OSD menu.

Chapter 04 Specifications

Parameter	Value
Screen size	11.6-inch
Overall dimensions	282 x 177 x 30 mm
Display/touch area	256.32 × 144.18 mm
Touch(*Touch Version)	10-point touch
Resolution	1920*1080
Color	16.7M (8bit)
Viewing angle (Single-sided)	85°
Backlight brightness	220cd/m2
Brightness contrast	1000/1
Supported operating systems	Windows / MacOS / Linux
Certification	Rohs
Supported interfaces	3.5mm headphone/ HD/ VGA/ 3.5mm audio input
Weight	790g

5

Chapter 05 Troubleshooting Guide and Warranty

5-1. Troubleshooting Guide

- This page deals with problems that can be corrected by a user. If the problem still persists after you have tried these solutions, please contact customer support.

Problem	Possible Solutions
No Power	<ol style="list-style-type: none"> 1. Make sure the power cord is plugged properly. 2. Press the power button to check if the monitor is ON.
No Picture / No Signal	<ol style="list-style-type: none"> 1. Check whether the monitor and the signal output device are in the ON mode. 2. Reconnect the signal cable. 3. Check if the signal is matched with the input function. 4. Connect another available output device / signal cable / monitor to check whether the issue is caused by the output device hardware, the video signal to the monitor or the monitor itself.
No Sound	<ol style="list-style-type: none"> 1. Adjust the volume settings via the button. 2. Check whether the headphone is inserted. 3. The silencer is working.
Dark / Light Picture	Adjust the Brightness settings via the button.
Image is Blurred	Select the correct resolution.
No Touch	The USB cable should connect to the video output device.

5-2. Warranty

- ELECROW Monitors carry a one (1) year limited warranty from the purchase date. In order to receive warranty service, proof of purchase of the ELECROW product is required. To obtain warranty service, please contact Customer Support.

6

- This limited warranty does not cover for:

Improper installation or maintenance; Misuse or Neglect; Repair, modification, or installation of options or parts by you or any third party; Improper environment- Excessive or inadequate heating or air conditioning or electrical powers failures, surges or other irregularities; Fire, flood, earthquake or other accidents.

5-3. Customer Support

- If you have any questions, customer support is always stand by.



info@elecrow.com



@elecrow.openhardware



@Elecrow1



Information on the disposal for Waste Electrical & Electronic Equipment (WEEE). This symbol on the products and accompanying documents means that used electrical and electronic products should not be mixed with general household waste. For proper disposal for treatment, recovery and recycling, please take these products to designated collection points where they will be accepted on a free of charge basis. In some countries you may be able to return your products to your local retailer upon the purchase of a new product. Disposing of this product correctly will help you save valuable resources and prevent any possible effects on human health and the environment, which could otherwise arise from inappropriate wastehandling. Please contact your local authority for further details of your near est collection point for WEEE.

7