

CrowVision

User Manual



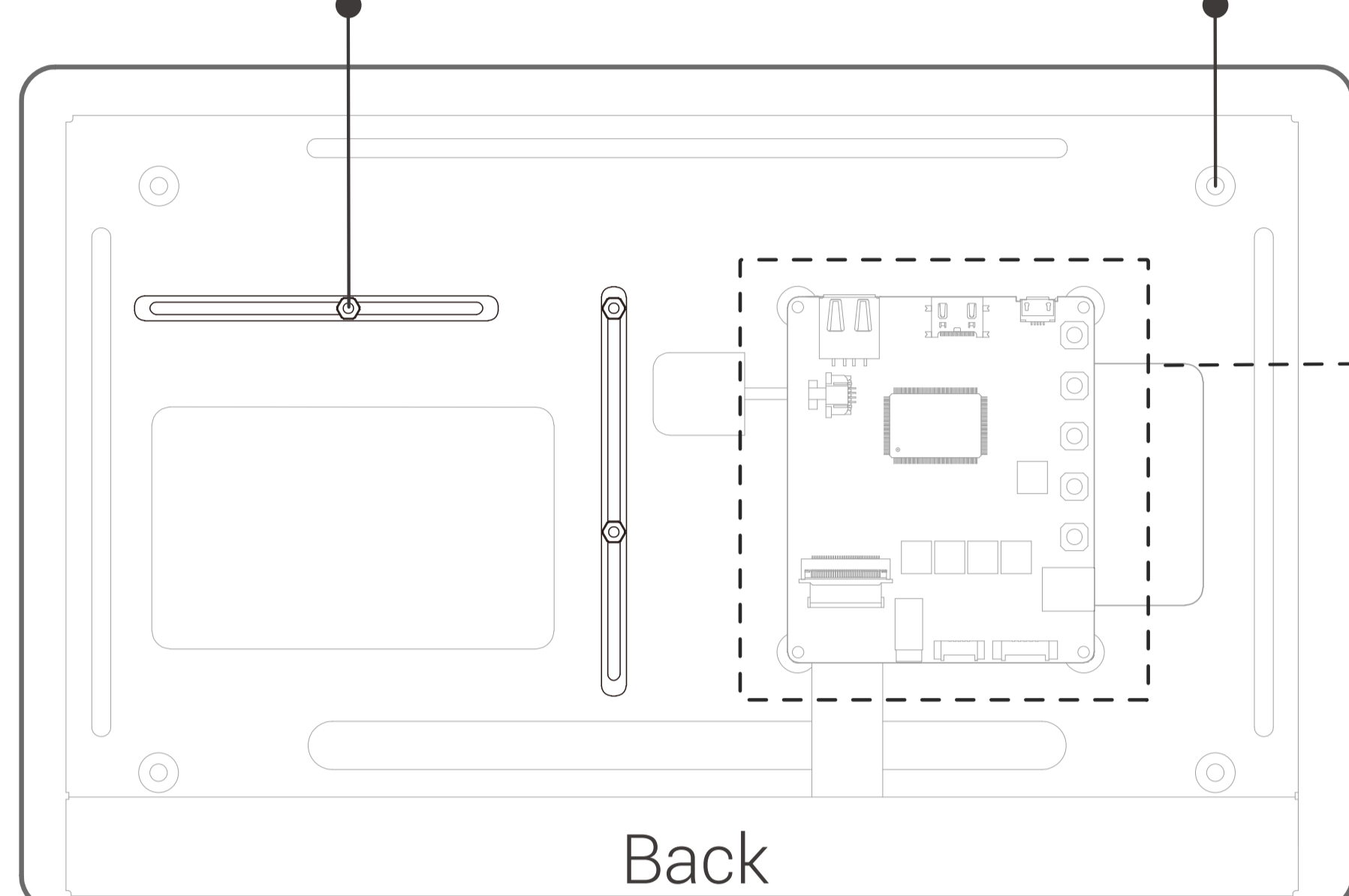
Please read this manual carefully before using the product and keep it carefully.

Component Description

Capacitive

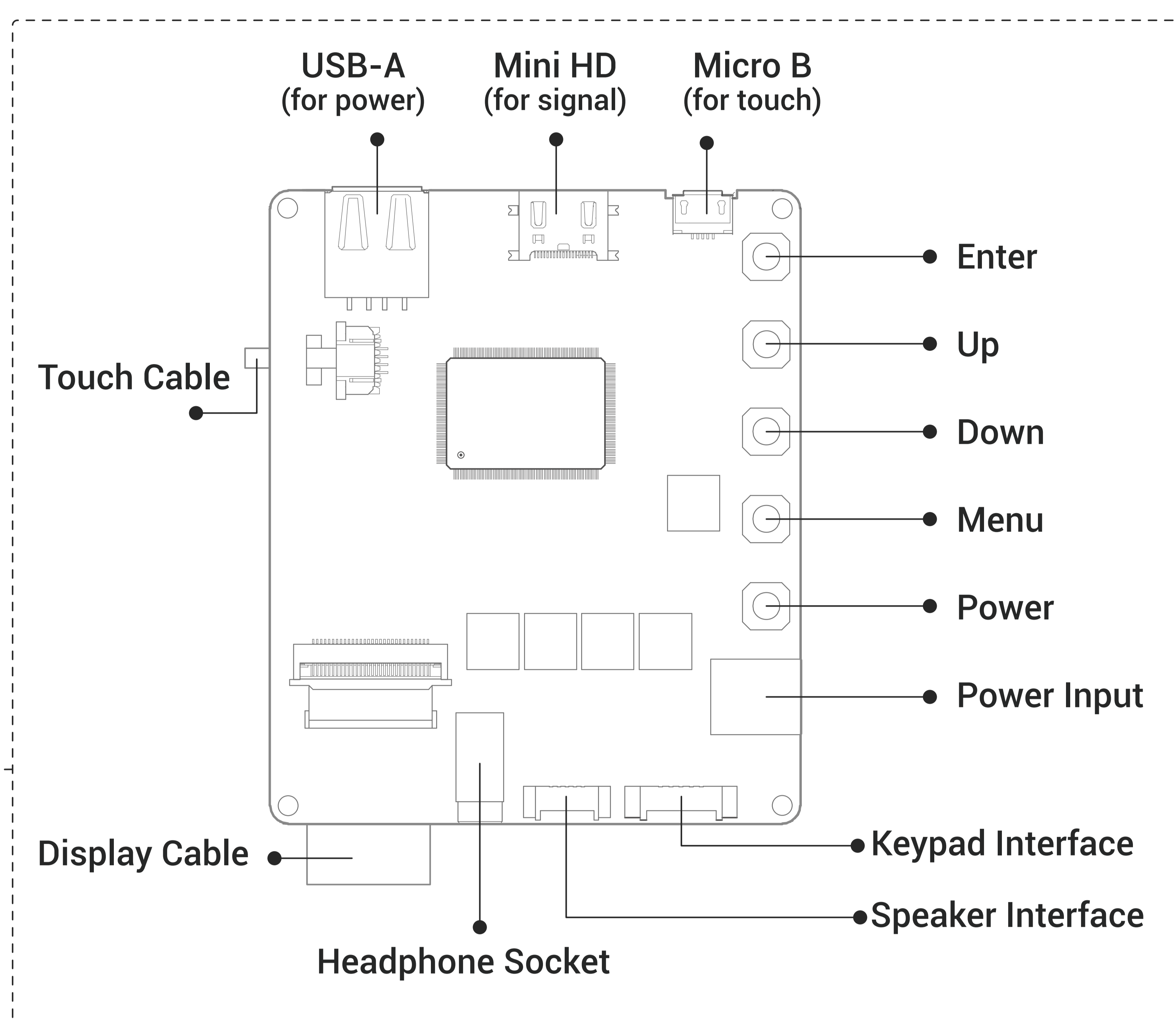


Slidable Fixed Column Assembly Hole



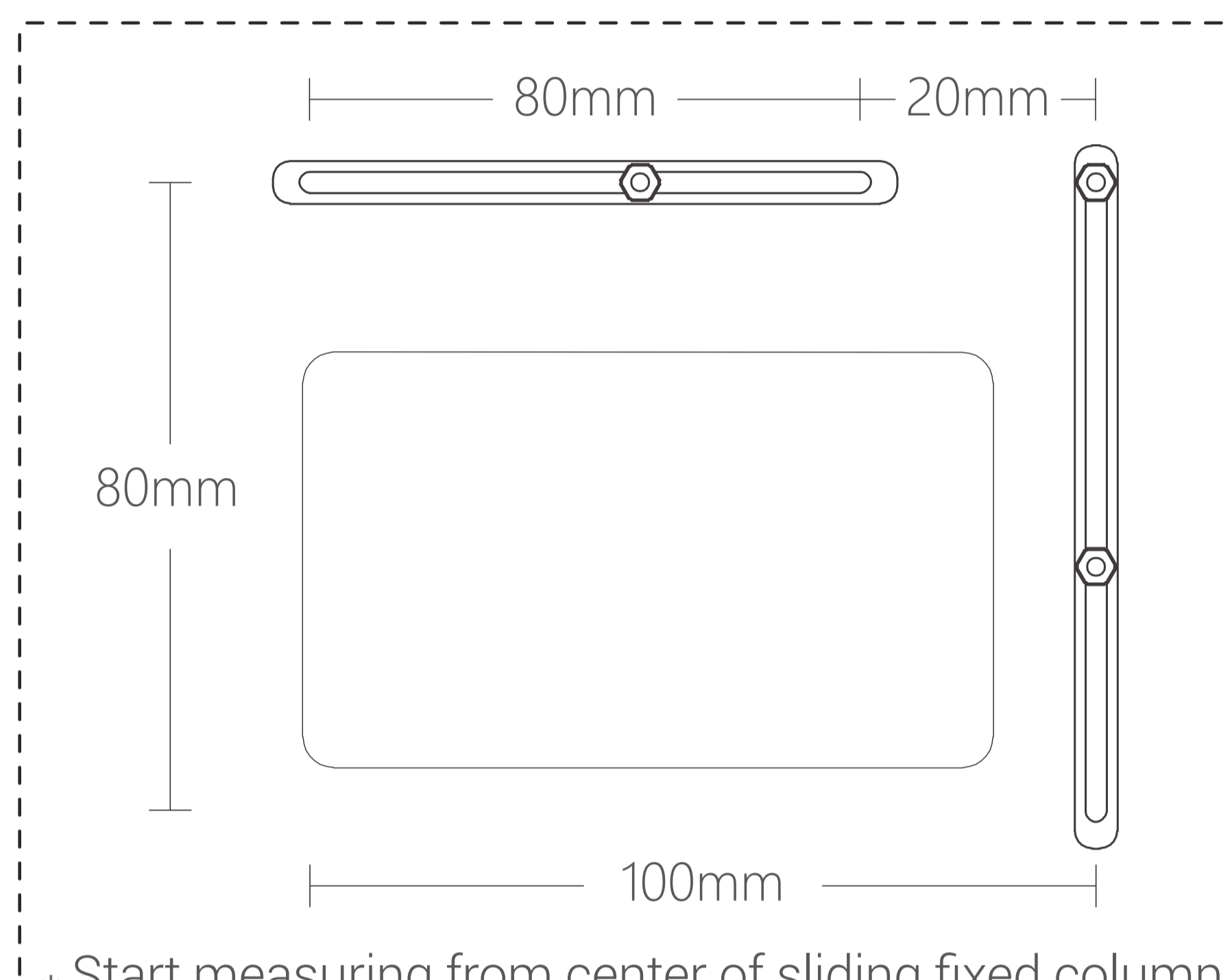
⚙ Prompt

Pre-mounted holes for use as a case or for rear mounting.

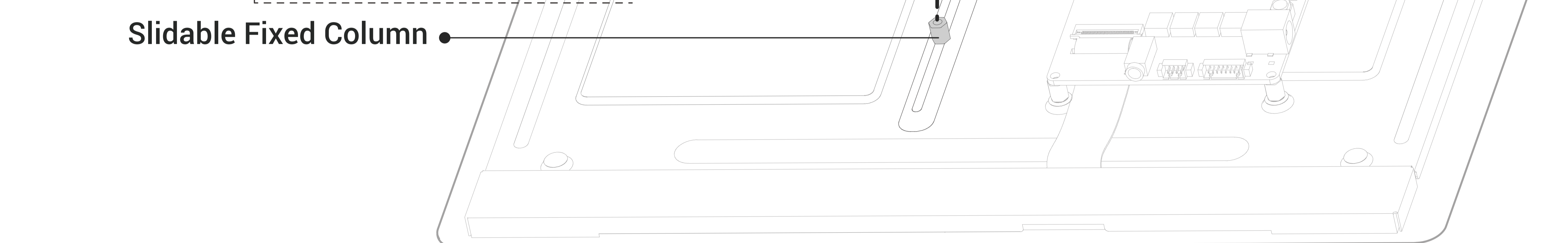


Assembly Instructions

Take the Raspberry Pi 4 as an example



Slidable Fixed Column



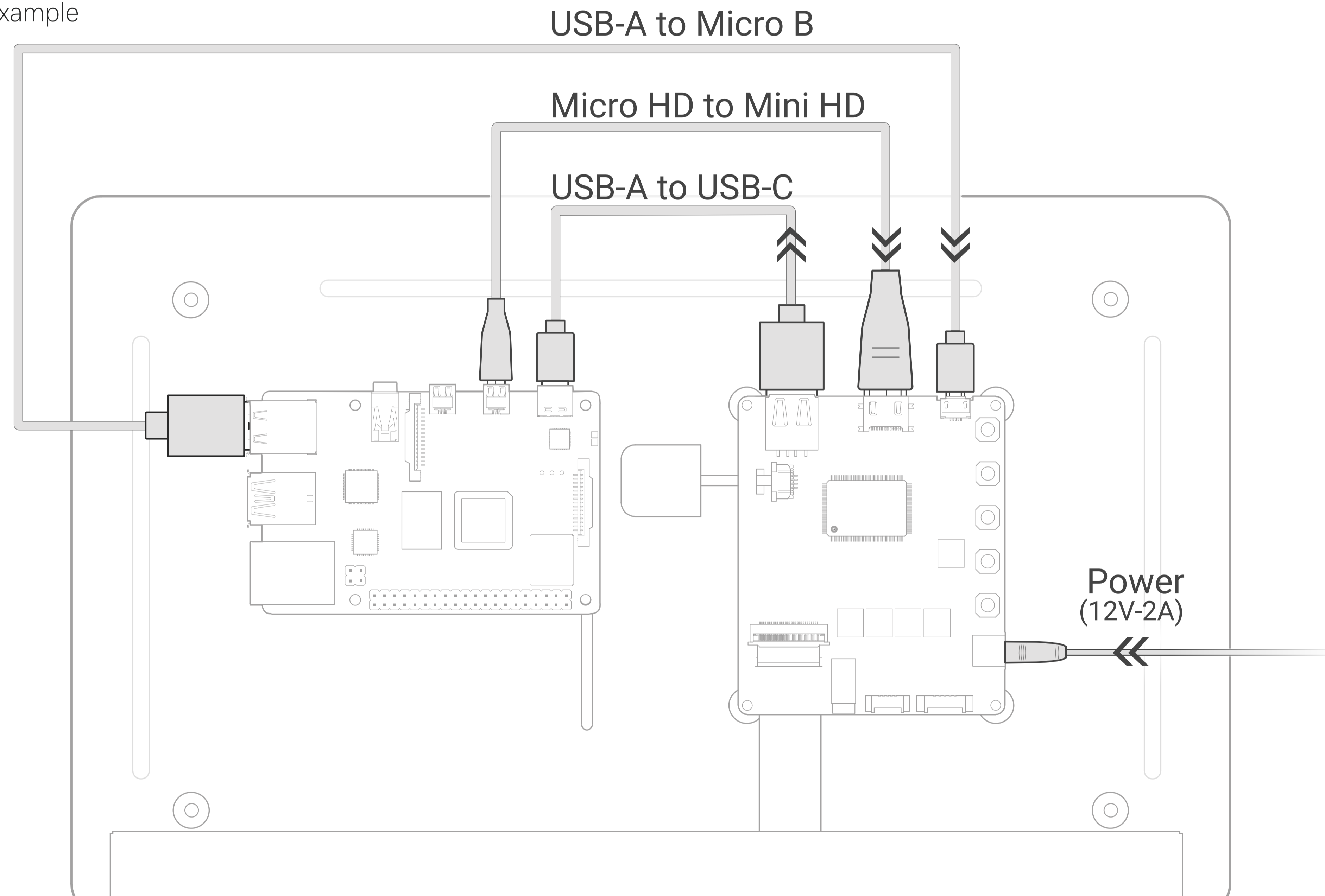
Adjust the sliding retention post to match the Raspberry Pi and attach the screws to the CrowVision sliding retention post through the Raspberry Pi's fixing holes.

🔗 Note

The slidable fixed column can be adapted to different types of single board computers.

Connection Description

Take the Raspberry Pi 4 as an example



USB-A to USB-C

A port is connected to the power output port of the CrowVision driver board, and C port is connected to the Type C port of the Raspberry Pi.

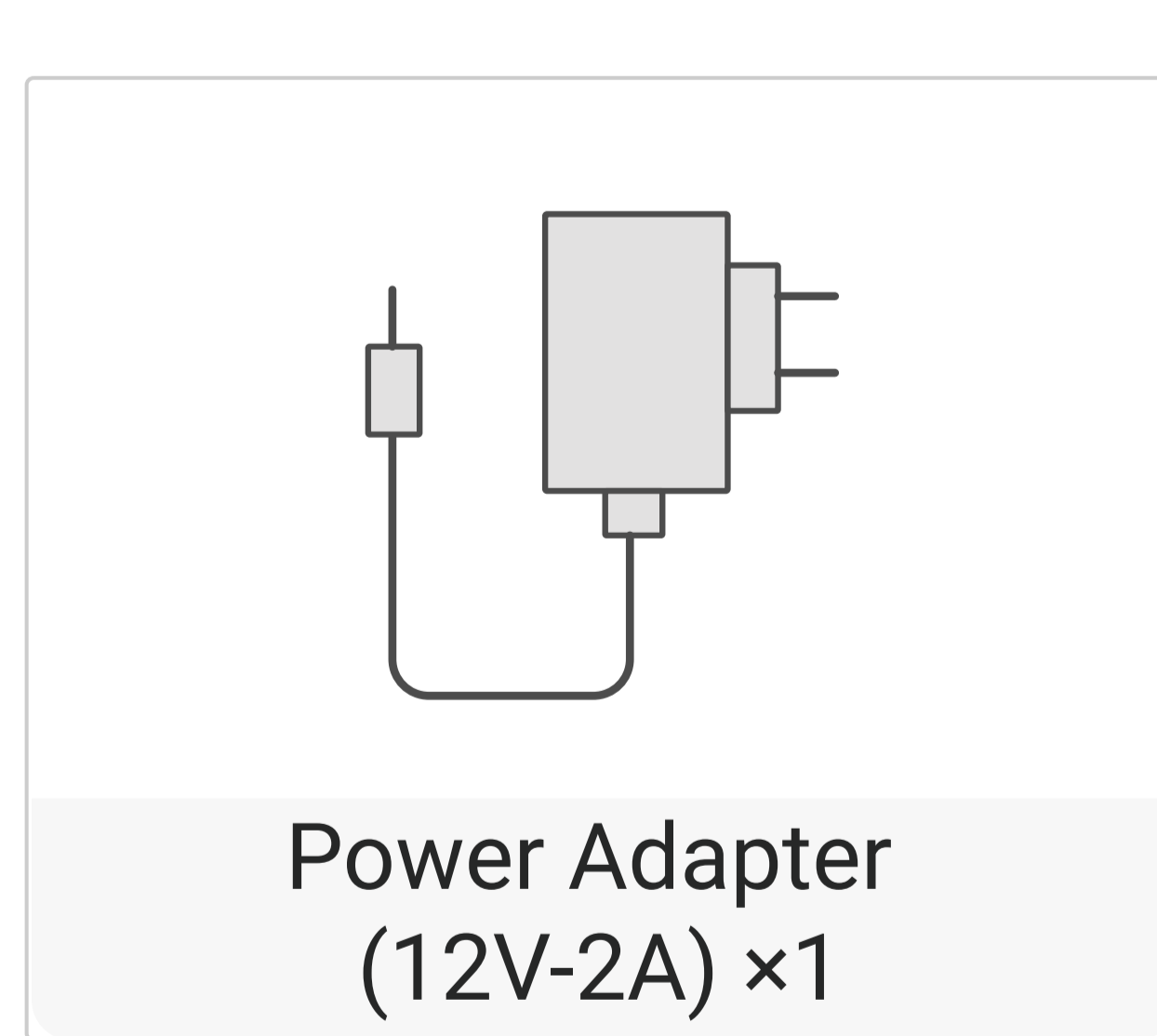
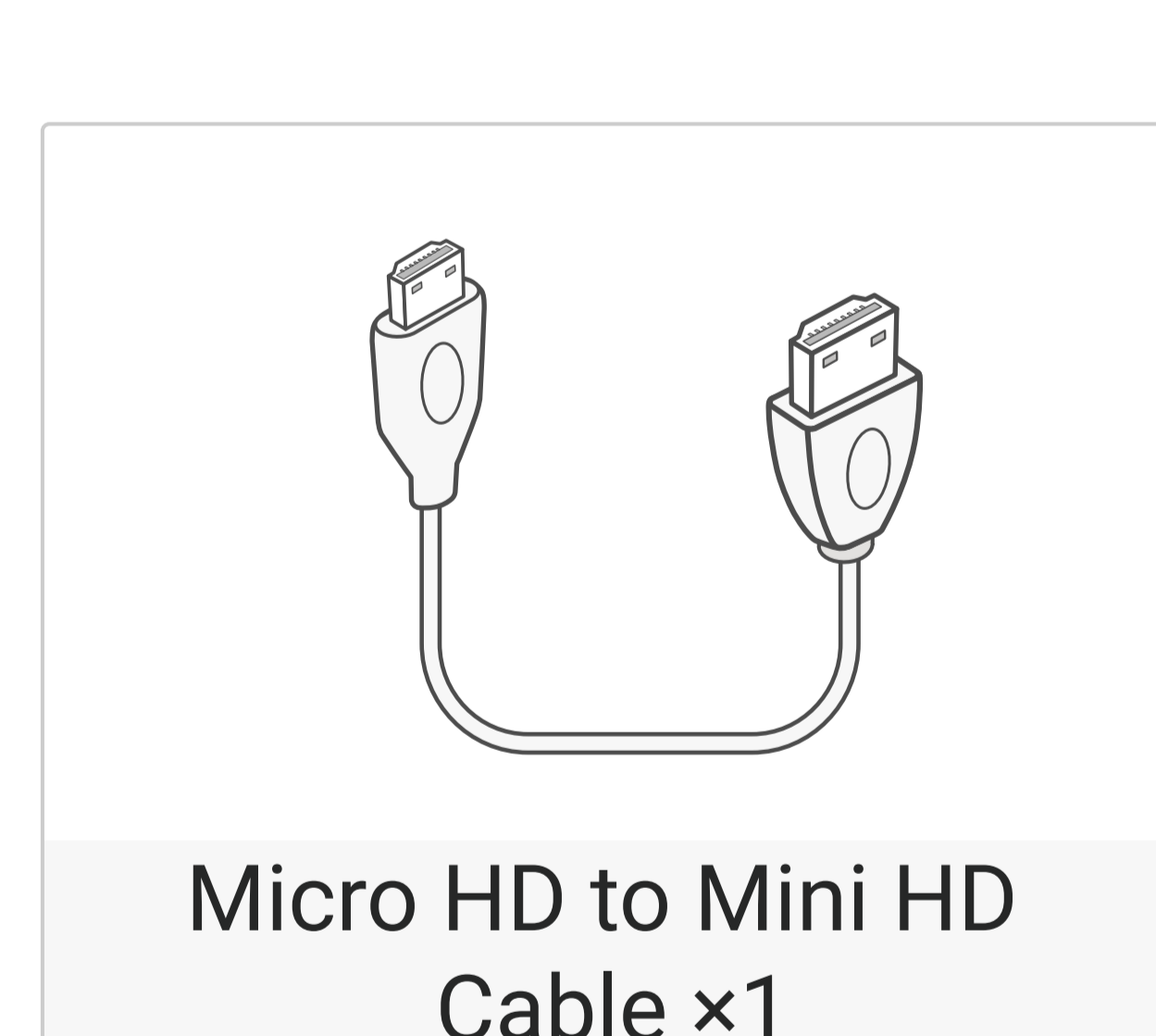
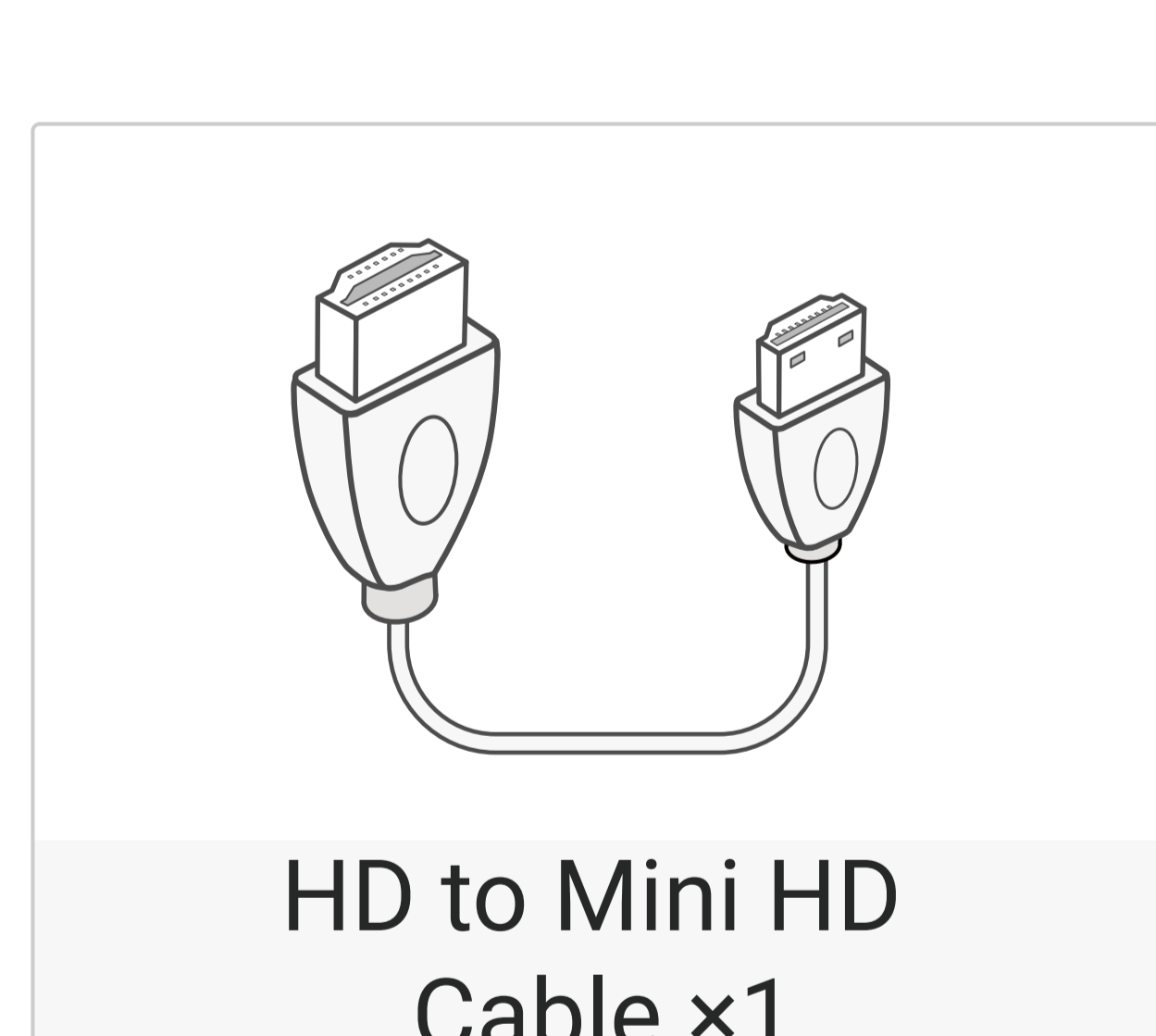
USB-A to Micro B

The Micro B port is connected to the touch port of the CrowVision board, and A port is connected to the USB port of the Raspberry Pi.

Micro HD to Mini HD

The Mini HD port is connected to the HD port of the CrowVision driver board, and the Micro HD port is connected to the HD port of the Raspberry Pi.

Details of Accessories



🔗 Note

Equipped with the appropriate power adapter according to the place of purchase.

Electrical Parameters

Size	Resolution
• 11.6"	1366*768
• 10.1"	1280*800
• 9.0"	1280*720
• 7.0"	1024*600

Name	Parameter
Touch Type	Capacitive, 5-point Touch
Panel Type	TFT-LCD, IPS panel, Wide Viewing Angle
External Power Supply	12V-2A
Compatible System	Windows/Mac/Chrome/Linux/Android/Ubuntu/Raspbian, etc.
Compatible Device	Mainstream single-board computers, Host devices, etc.