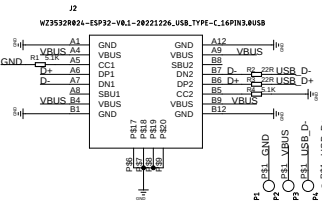
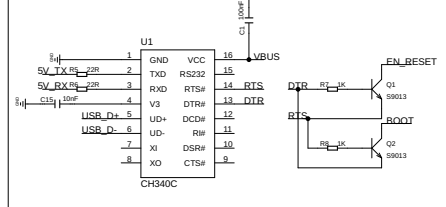


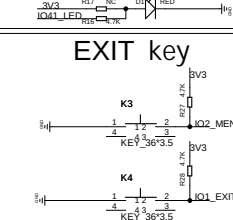
### USB type-c



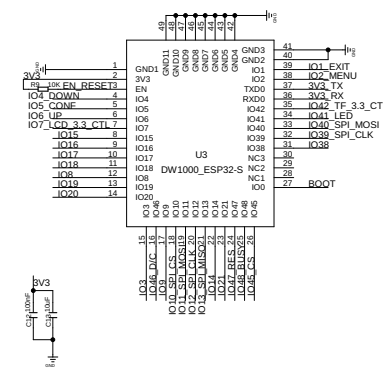
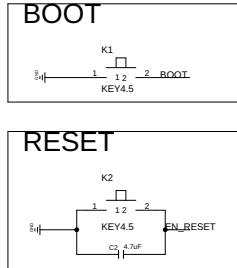
### USB to serial port



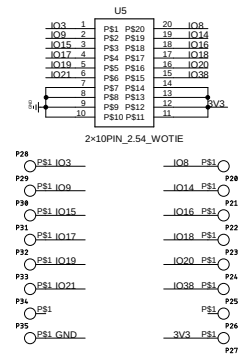
### POWER LED



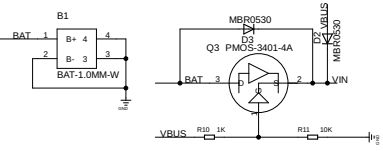
### ESP32-S3-WROOM-1-N8R8



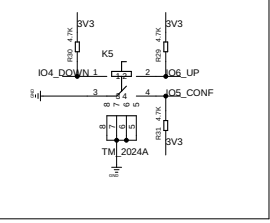
### GPIO interface



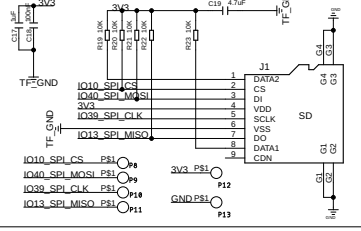
### BAT and control



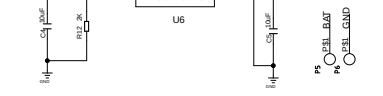
### Switch



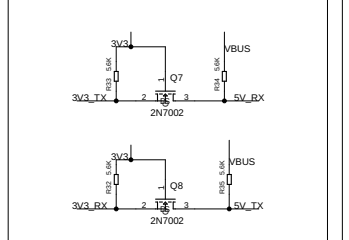
### TF Card



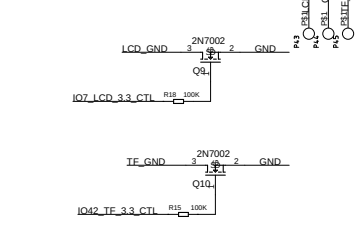
### 3.3V popper



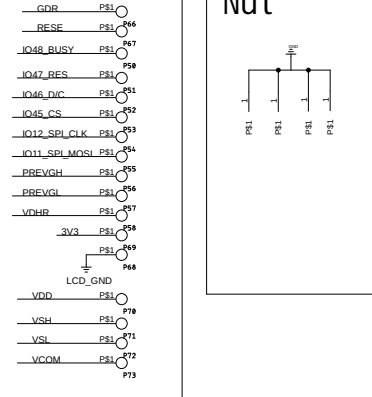
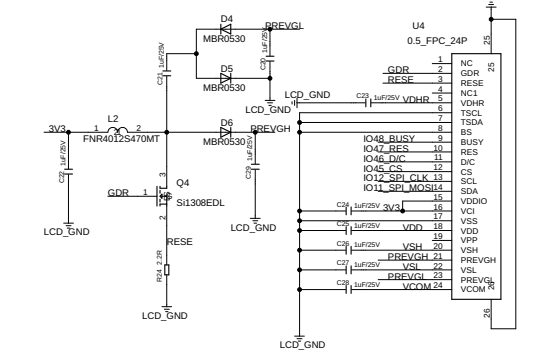
### Serial level Translation



### TF LCD



### EPD interface



### Nut

