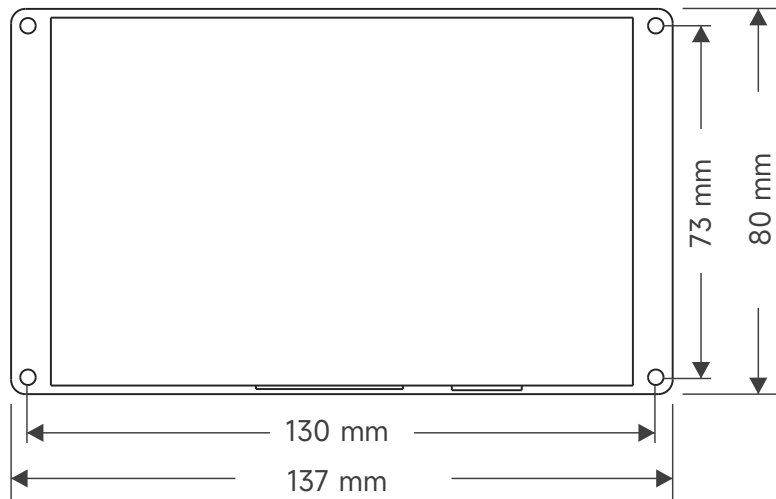


User Manual

Please read this manual carefully before using the product and keep it carefully.

Product Size



Specifications

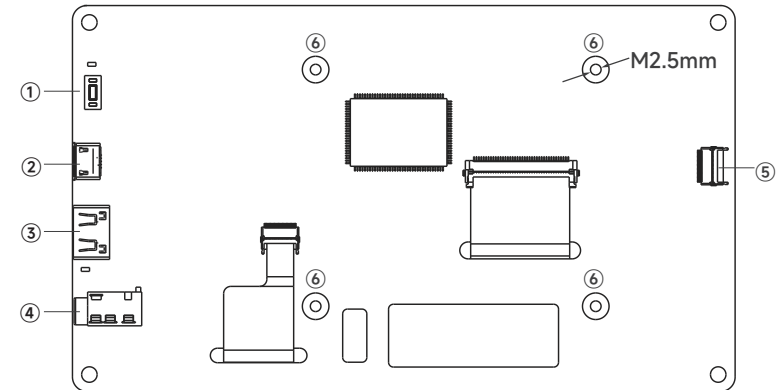
Model Name	DIS05490T
Panel Size	5 Inch
Interface	HD & USB
Resolution	800x480(Pixels)
Touch Function	Capacitive Touch
Speaker	Support
Dimension	137*80*14(mm)
Net Weight(Esti.)	140g

Customer Support

If you have any questions, customer support is always stand by.

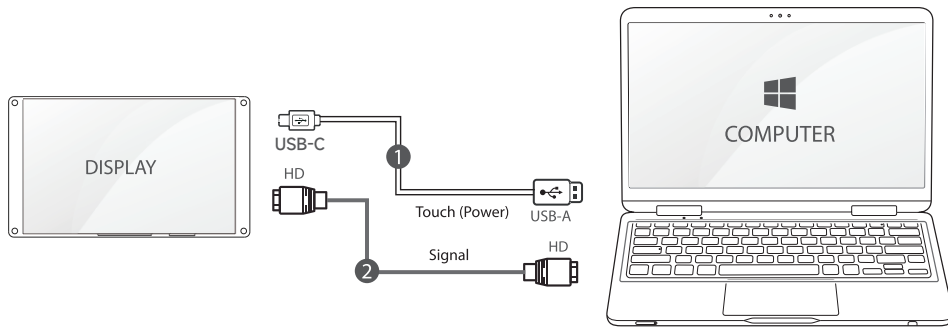


Product Description



- ① Backlight Switch: Turn on and off the backlight.
- ② USB-C Interface: Connects to the device for touch function and power supply.
- ③ HD Interface: Video and audio signals transmission.
- ④ Headphone Jack: 3.5mm audio interface.
- ⑤ Speaker Socket: 4pin audio interface.
- ⑥ Mounting Holes: For mounting the RPI.

Connected to PC / Laptop (with HD Port)

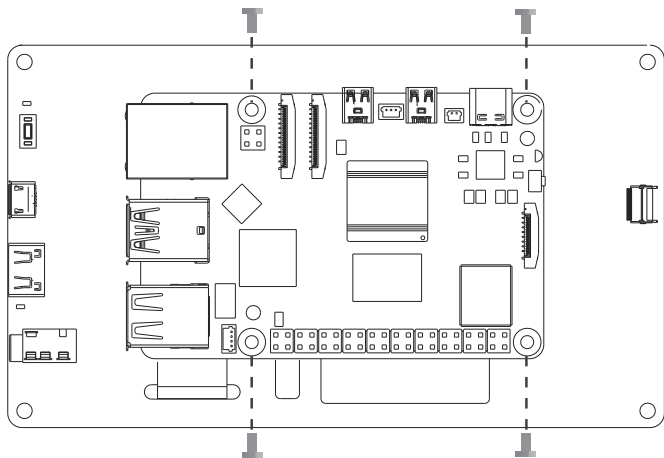


① USB-C to USB-A cable

② HD to HD Cable

4

Mount the Raspberry Pi on the back of the screen with 4 screws (M2.5*4)

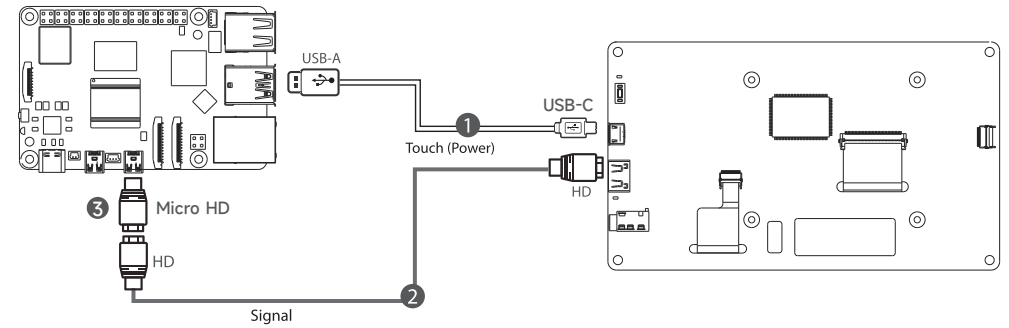


Note: Screws is not included in the package

6

Connected to the RPI

Take the Raspberry Pi 5 as an example



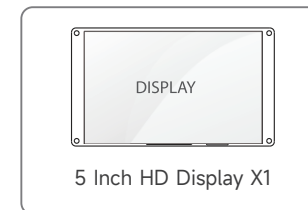
① USB-C to USB-A cable

② HD to HD Cable

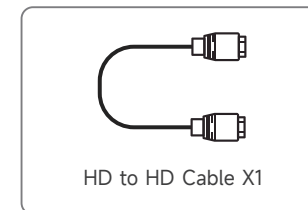
③ Micro HD to Standard HD Adapter

5

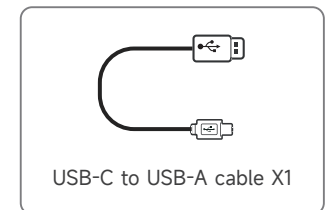
Package Contents



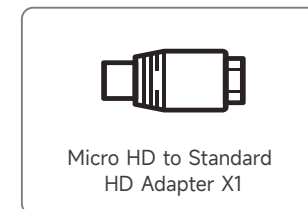
5 Inch HD Display X1



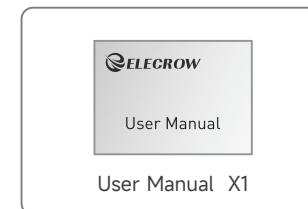
HD to HD Cable X1



USB-C to USB-A cable X1



Micro HD to Standard
HD Adapter X1



ELECROW

User Manual

User Manual X1

7