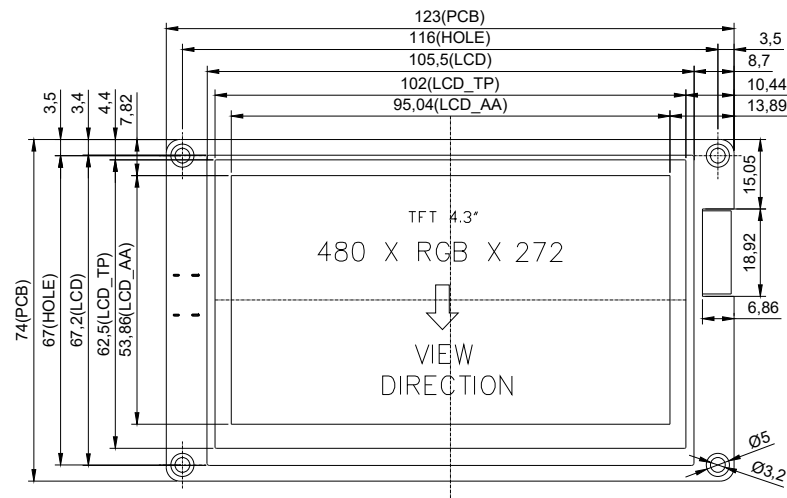


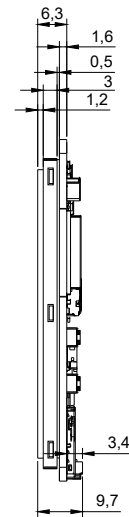
6	7	8
REVISION	RECORD	Date
V1.0	First release	2026-01-24

A  
B  
C  
D  
E

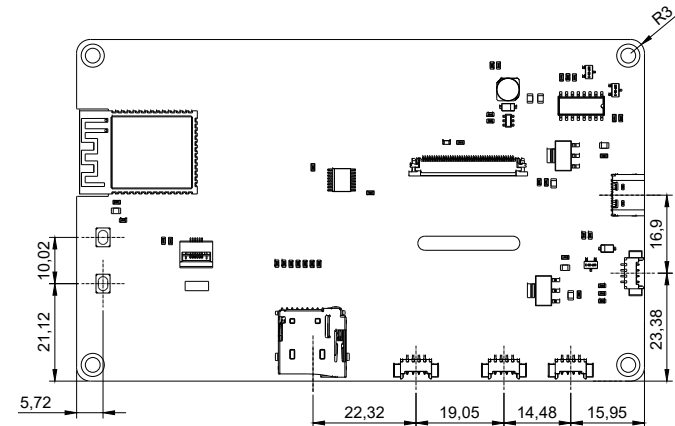
### Front



### Side



### Back



#### NOTES:

- 1.DISPLAY TYPE: 4.3" TN TFT
- 2.VIEWING DIRECTION: 6 O'CLOCK
- 3.DRIVE IC: ST7282
- 4.POLARIZER MODE: TRANSMISSIVE/POSITIVE
- 5.RESOLUTION: 480\*RGB\*272
- 6.UNMARKER TOLERANCE:  $\pm 0.2$
- 7.OPERATING TEMP:  $-20^{\circ}\text{C} \sim +70^{\circ}\text{C}$

					DRG DATE	2026-01-24	
					DRAWING	Fang	
TITLE.	LCM OUTLINE	REV.	UNIT	SIZE	(3)	CHECK	Green
SKU.		V1.0	mm	A4		APPROVE	Rose