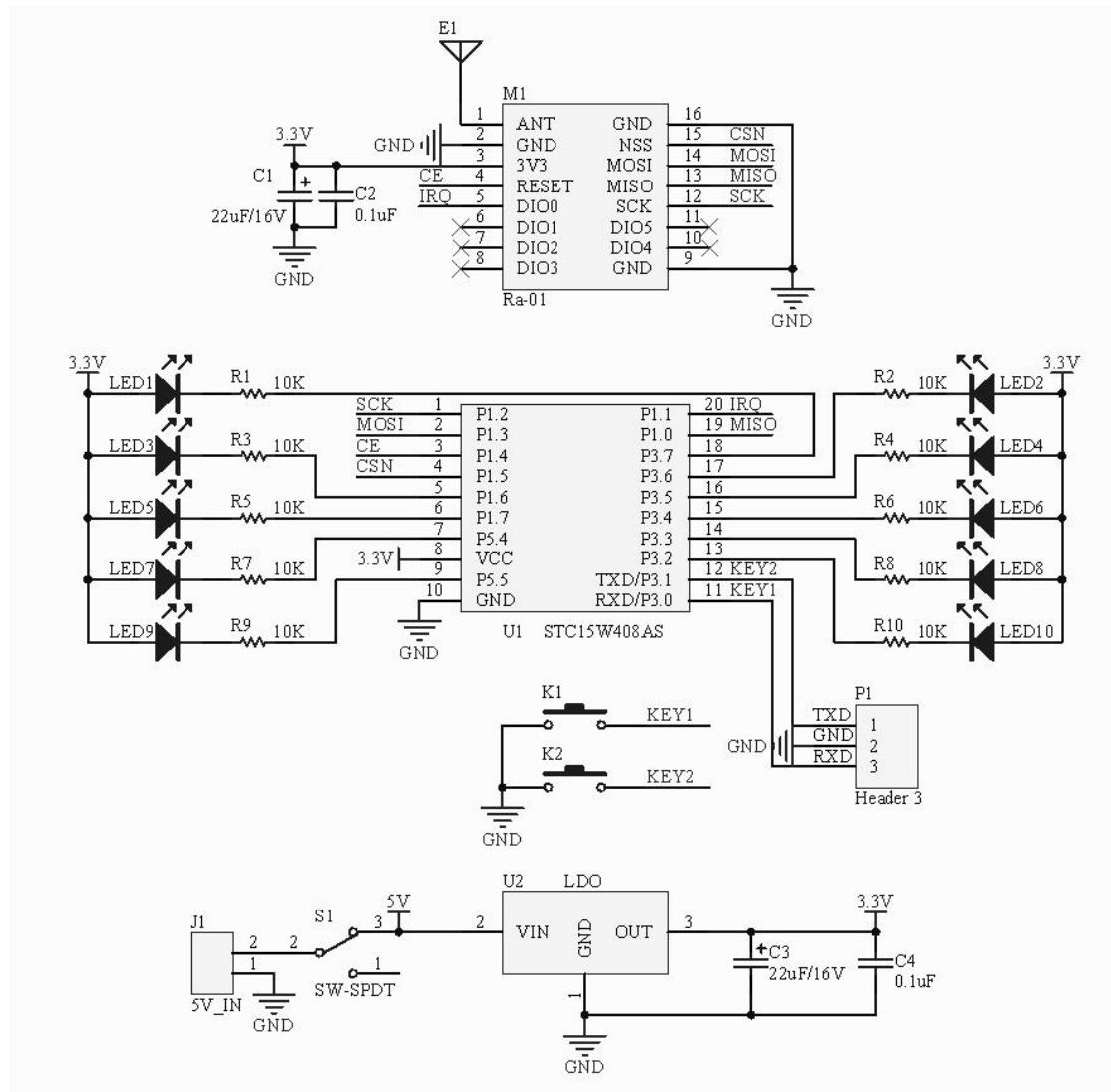


# LoRa Testing Board User Manual

## 一、Schematic



## 二、Interface Definition Diagram

