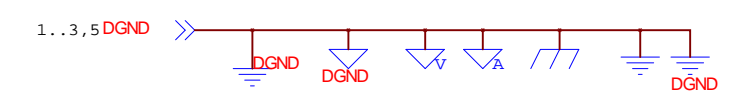
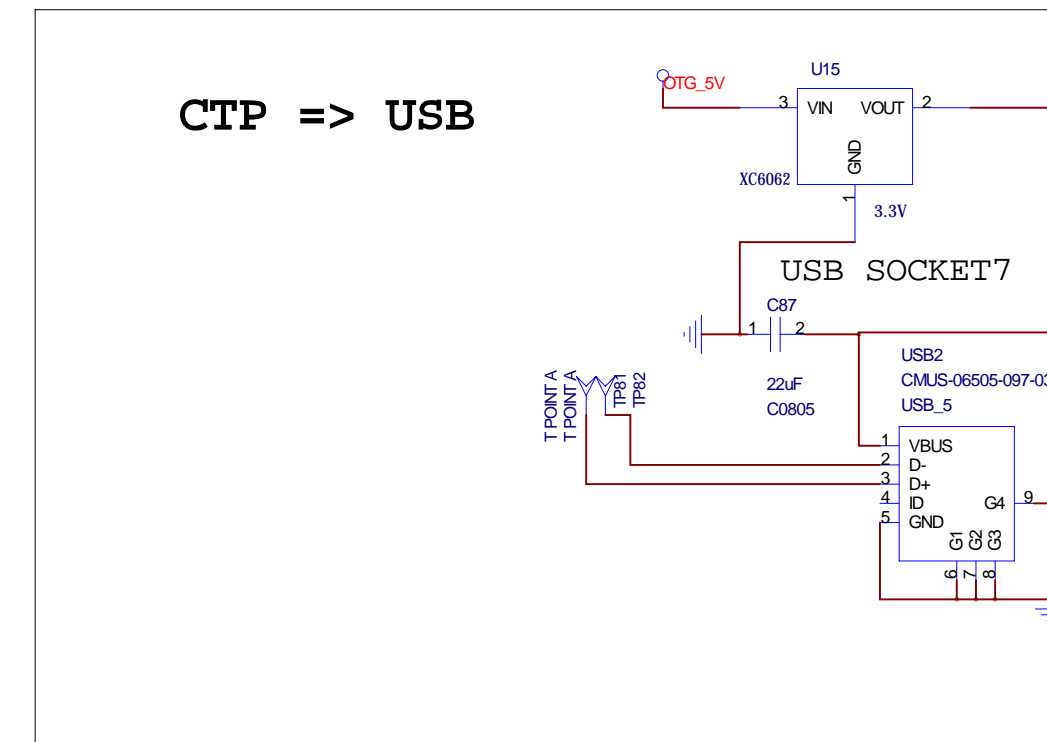
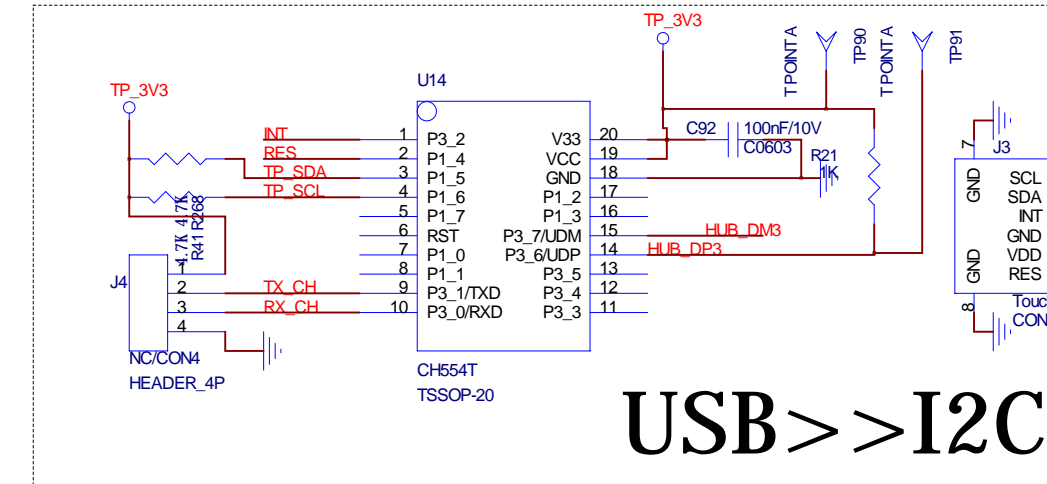
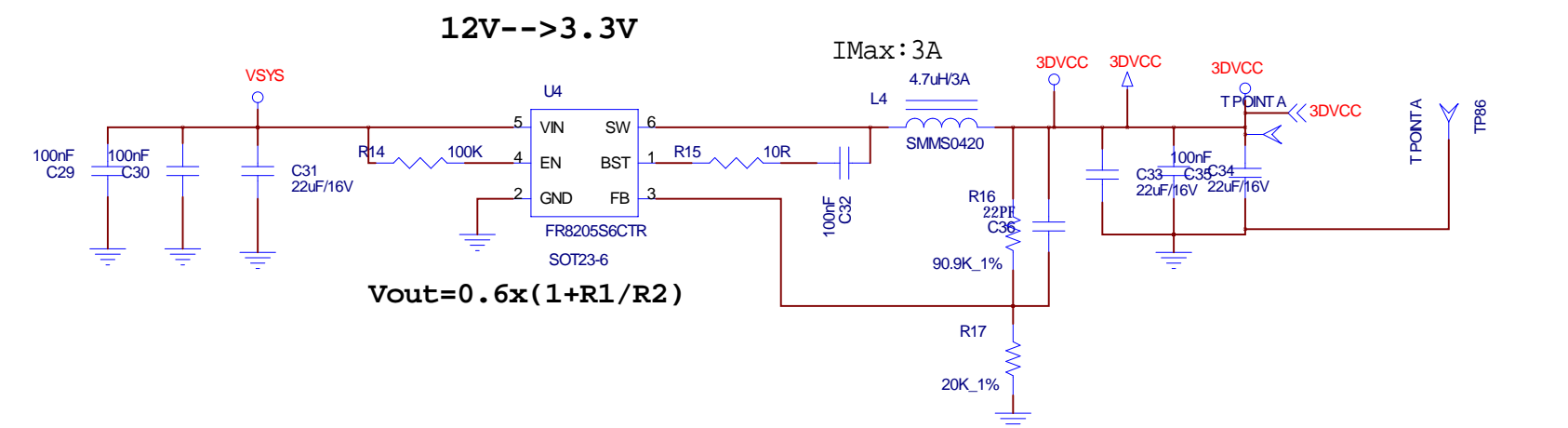
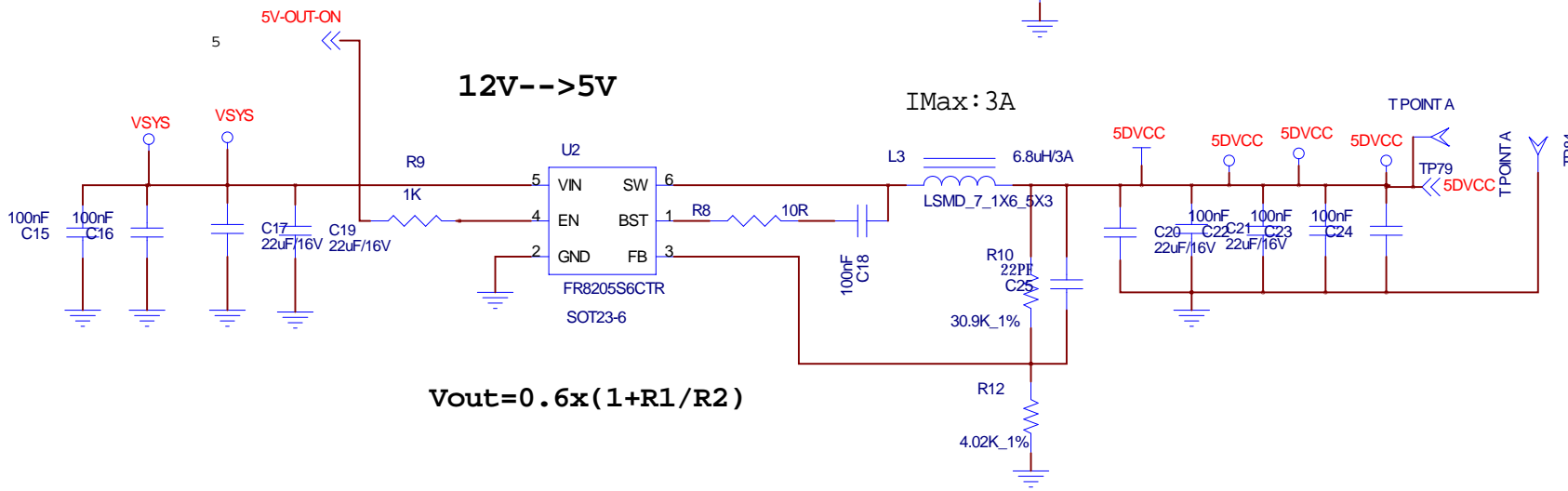
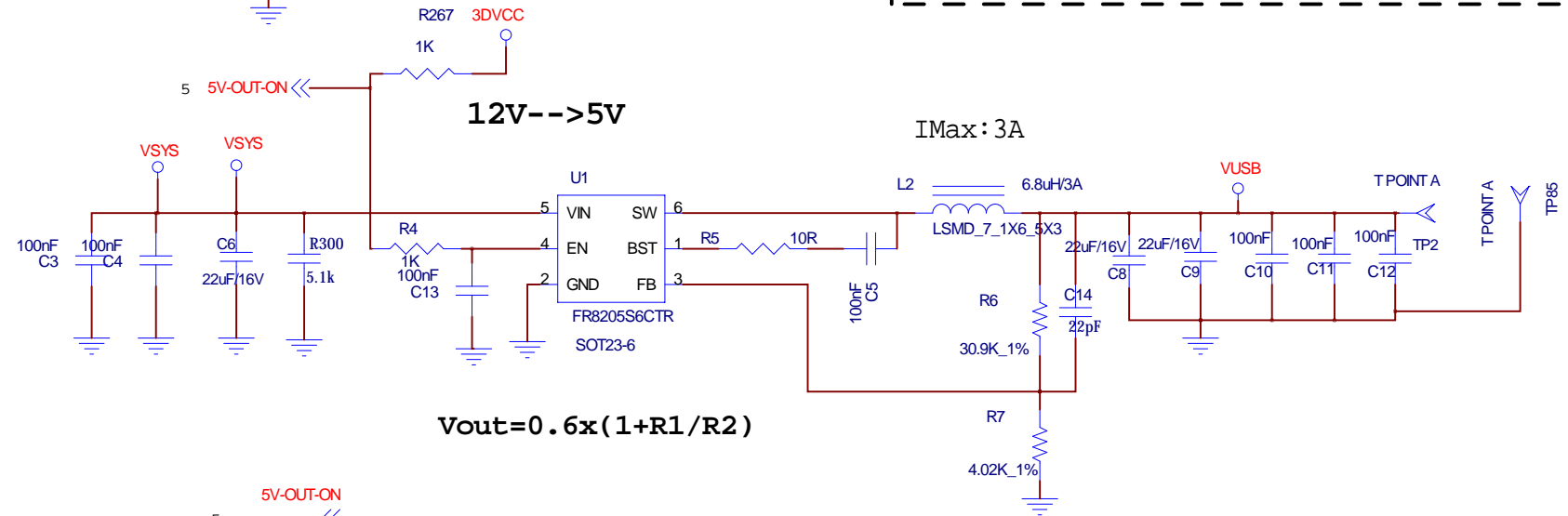
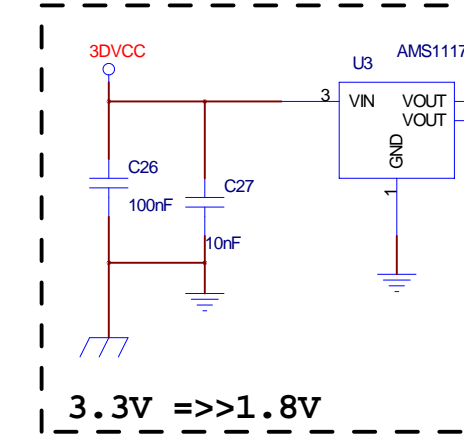
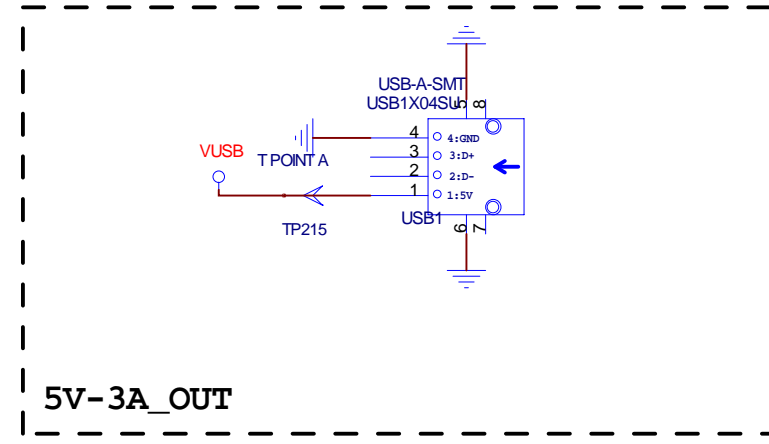
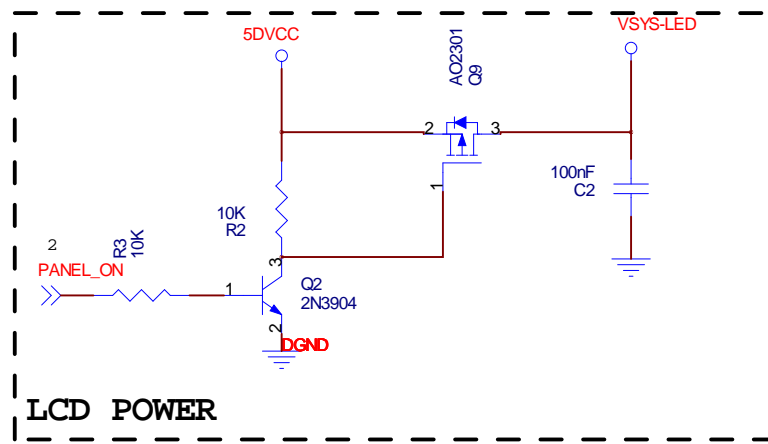
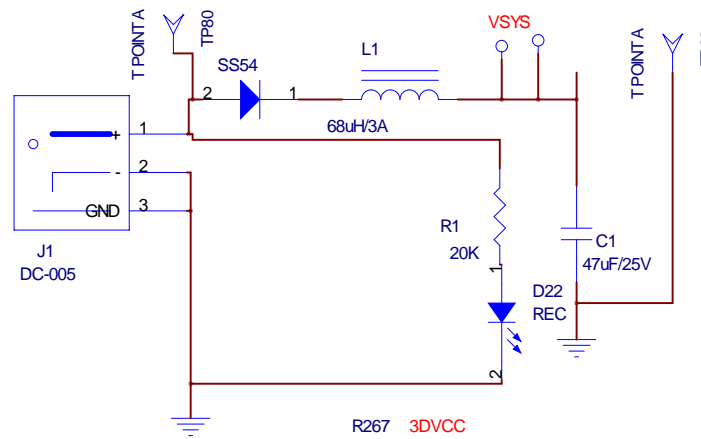
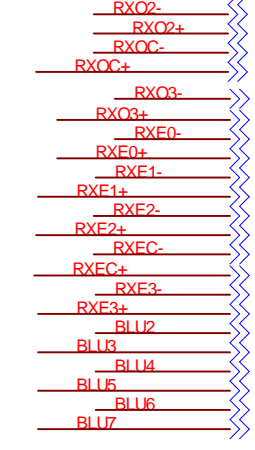
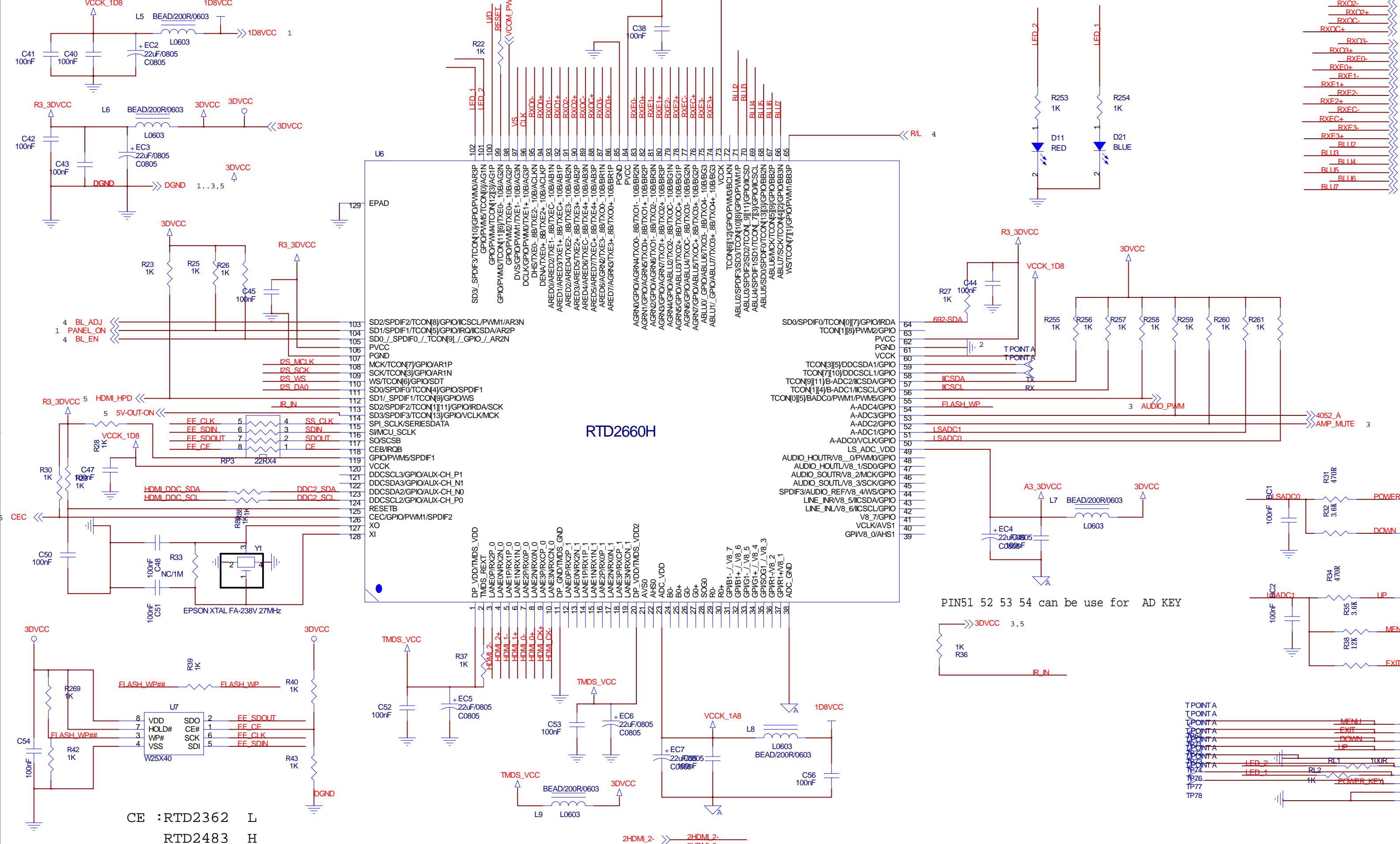


POWER IN 12V - 2A

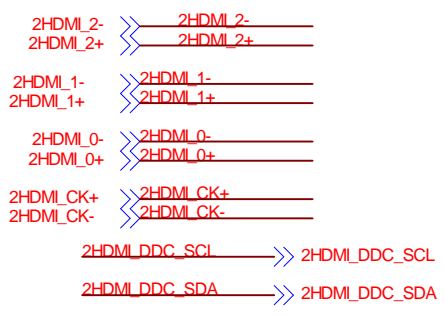
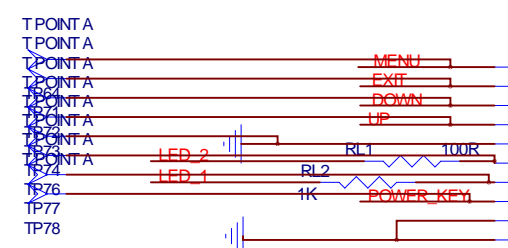
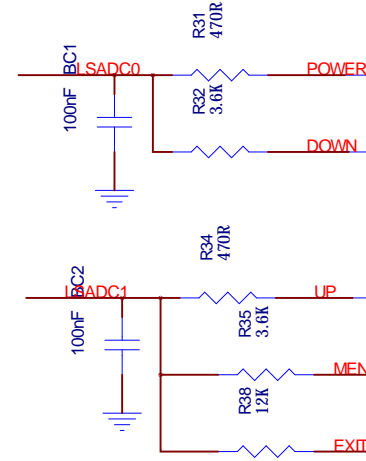


ΕΙ ΟΥΕΔΩΣ	
ΕΙ ΟΥΕΔΩΣ! *2 Cα1 +1 C%0%	
Title	Crowision
Size	DWG NO. POWER
Date:	Tuesday, May 30, 2023

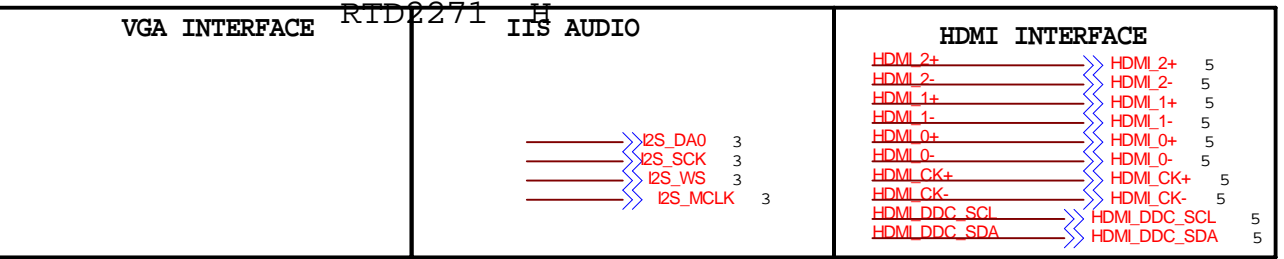


RTD2660H

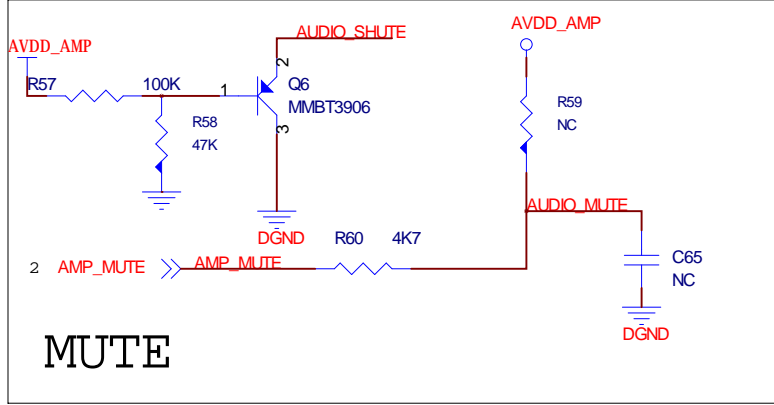
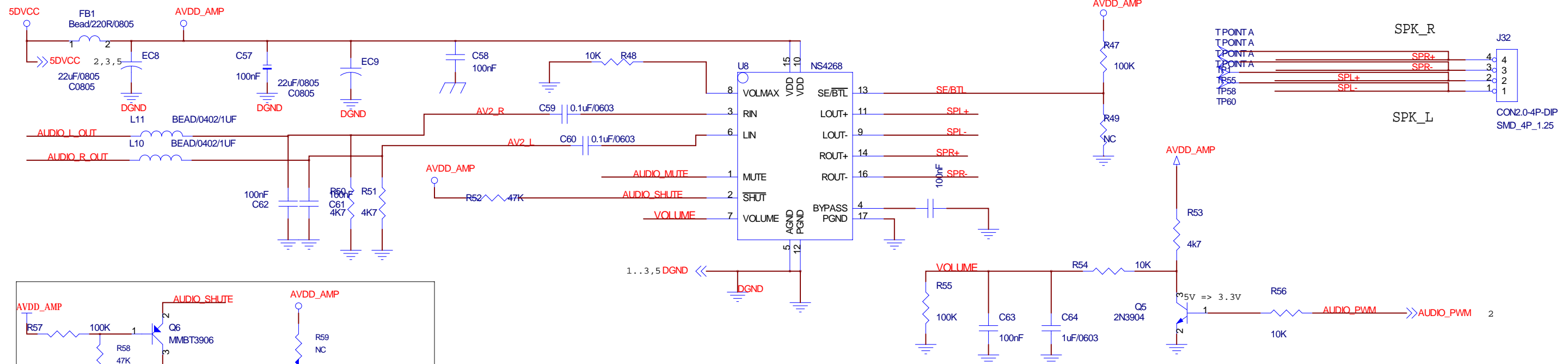
PIN51 52 53 54 can be use for AD KEY



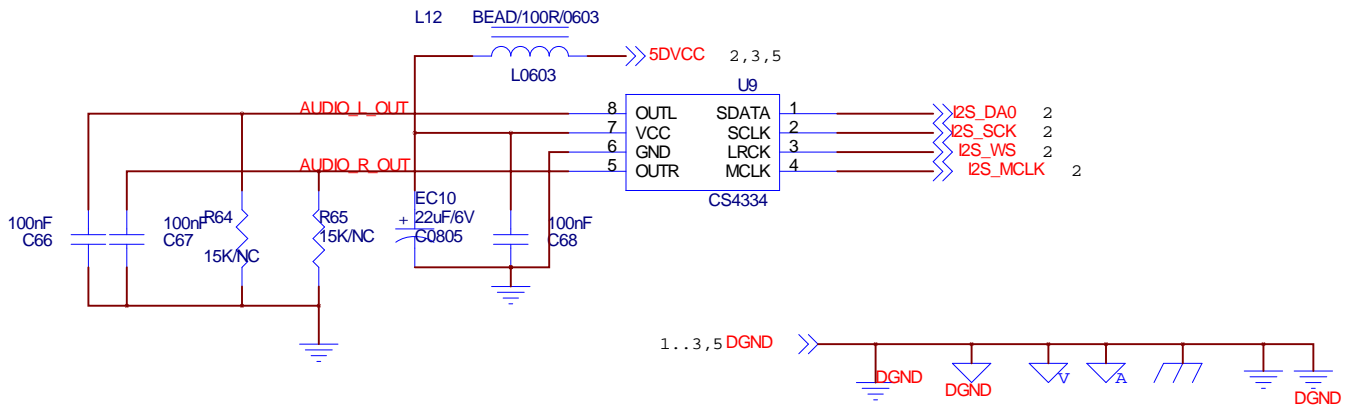
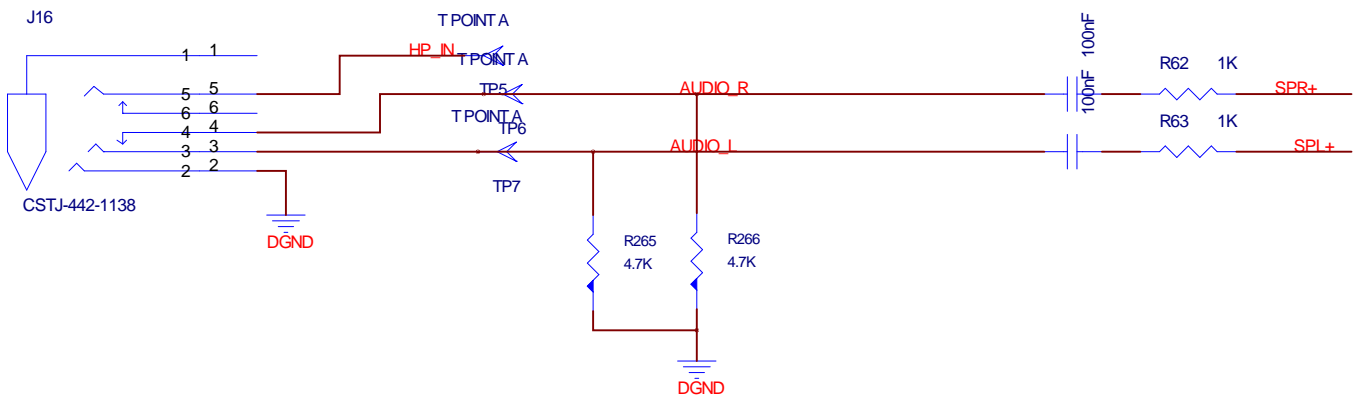
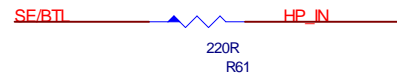
CE :RTD2362 L
RTD2483 H



Title		Crowision	
Size	A3	DWG.NO.	POWER
Date:	Tuesday, May 30, 2023	Sheet	2

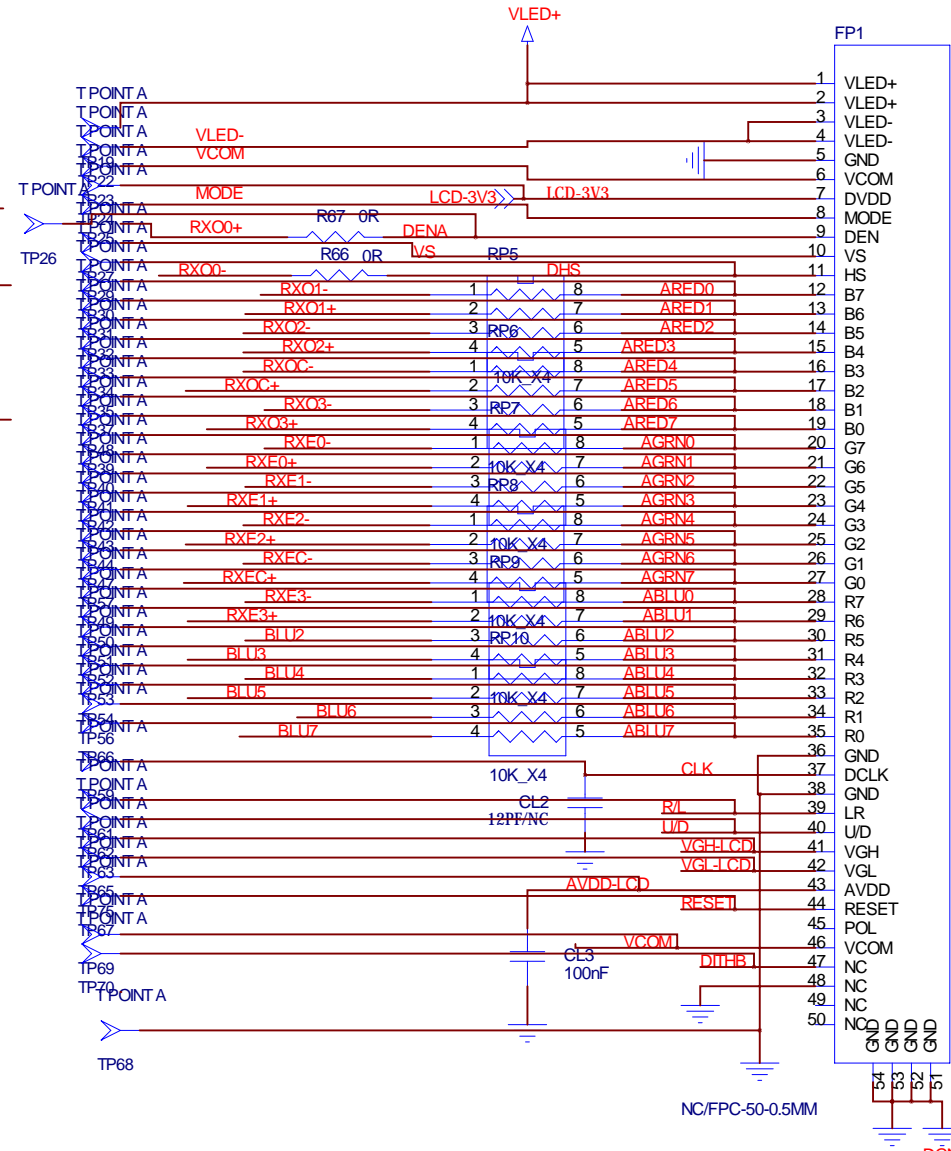
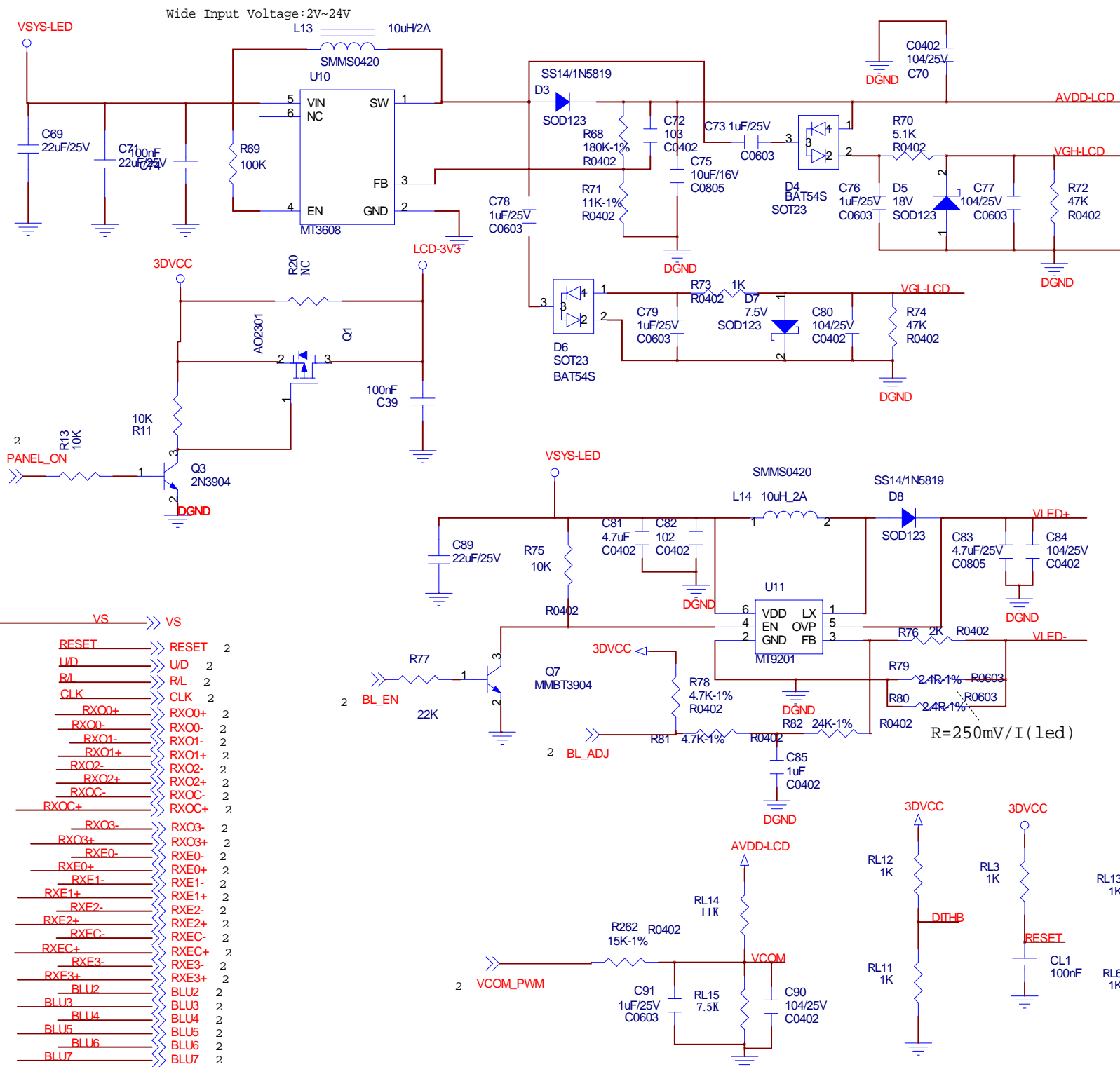


HP OUT



<p>ΕΙ ΟΥΕΔΟx λ Αμ λ Α/4 φ Ο' ΟΒΙ Ρ¹ « Ε³/₄</p> <p>ΕΙ ΟΥΕΔε! ** ροι + ι ς%ΟμΑ¹ ι ΒΕΕς ςο^ο ς' όμΑ, ΕΕ-¹ μΟμ' Ρ¹ 8Α#801</p>			
Title	Crowwision	Designer:	KEVIN
Size	DWGNO. POWER		Rev V0.1
Date:	Tuesday, May 30, 2023	Sheet	3 of 5

LCD POWER



1...5 DGND

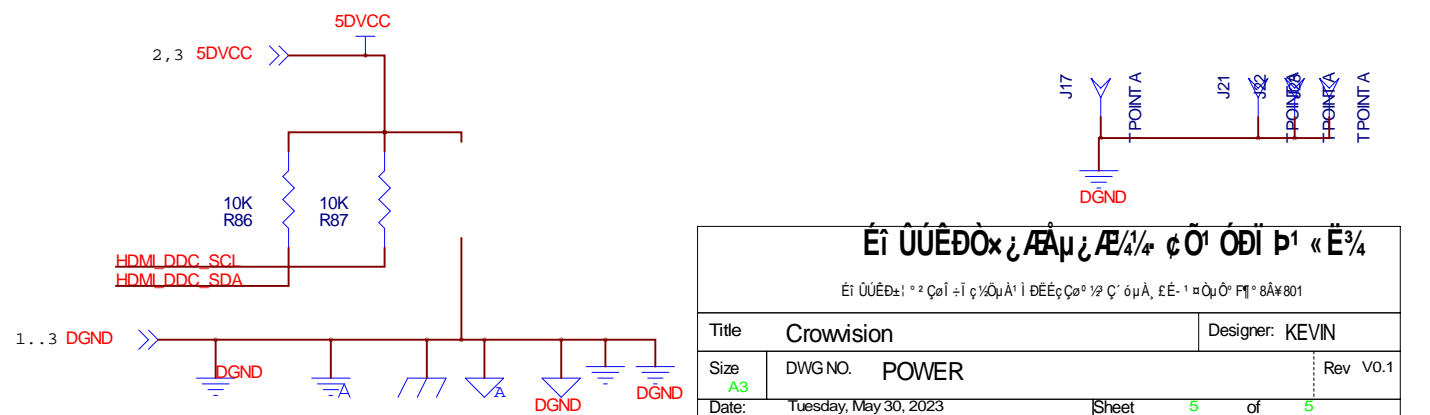
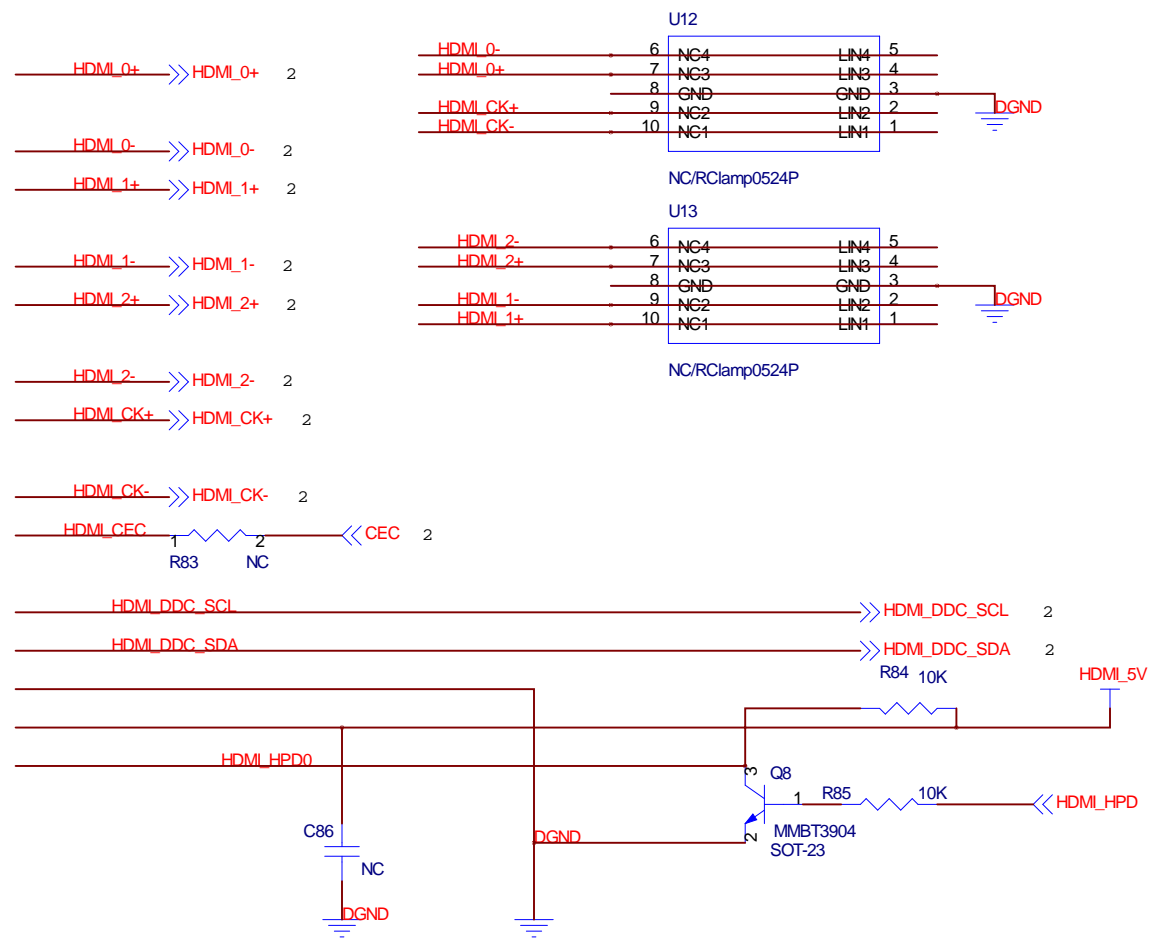
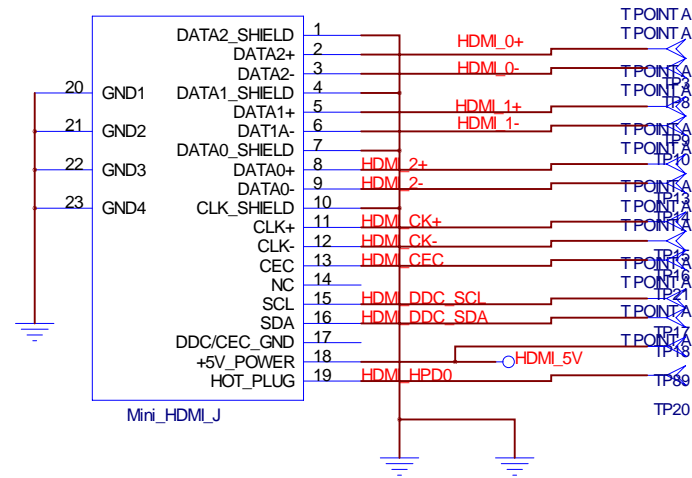
ΕΙ ΟΥΕΔΟx ζ ΑΒμ ζ Αεζ/φ ϕ Ο' ΟΔΙ Ρ' « Ε³/₄

ΕΙ ΟΥΕΔΟx * * ζ ρελ = Ι ϕ % Ομ Α' Ι ΔΕΕϕ ρο * ρ ζ' ομ Α, ΕΕ- 1 = Ομ Ο' Ρ' * ΔΑ * 801

Title	Crowision	Designer:	KEVIN
Size	A3	DWG. NO.	POWER
Date:	Tuesday, May 30, 2023	Sheet	4 of 5

HDMI IN

J8



<p>ΕΙ ΟΥ ΕΘΟΞΙ ΑΜΙ ΑΕ/4/4 Φ ΟΙ ΟΒΙ Β' Ε 3/4</p> <p>ΕΙ ΟΥ ΕΘΞΙ ²² ΦΘΙ ΑΙ Φ ½ Ο Α' Ι ΔΕ ΕΦ ΦΘ ² ² Φ' Θ Μ Α, Ε Ε' ¹ Μ Ο Μ Φ Π ² 8 Α Ψ 801</p>			
Title	Crowision	Designer:	KEVIN
Size	A3	DWG NO.	POWER
Date:	Tuesday, May 30, 2023	Sheet	5 of 5
		Rev	V0.1